

MANUAL SERIES

Section 1: Screen Design

1.1 What is it for?

The **Manual Series** features a wide selection of sizes and available aspect ratio formats make it the most complete line of Manual Pull Down screens. Most models are available in either a white or black case to fit your interior décor. Standard features include a lanyard for hard to reach applications, black-masking borders all around the entire viewing area, and a dual wall/ceiling mount design.

1.2 How does it work?

The manual screen utilizes a spring loaded auto-locking system for variable height adjustments. Pulling the lanyard or center handle brings down the screen material to the desired height. Gently stopping on the downward pull and guiding the material as it rises a few inches into its locked position. A gentle pull on the center handle or lanyard will cause the locking mechanism to disengage allowing the spring loaded retraction mechanism to draw the screen back up into the casing.

Section 2: Product Features

2.1 Characteristics

Screen Material

- MaxWhite® screen material is durable and easy to clean
- 180° wide viewing angle for commercial presentations or residential home cinema
- 4K Ultra HD, Active 3D, and HDR Ready
- Standard 4-side black masking borders
- Black backed screen material eliminates light penetration for superior color reproduction
- Available in the following range of diagonal sizes:
 - 85" - 170" in 1:1 format
 - 80" - 150" in 4:3 format
 - 80" - 150" in 16:9 format
 - 94" - 139" in 16:10 format

Design and Installation

- Dual wall and ceiling installation design
- Auto-locking system provides variable height settings in any position
- Screen lanyard for easy operation included - allows screen's pull down handle to be reached from high areas

PRODUCT WHITE PAPER

<http://www.elitescreens.com>



- Includes wood screws and drywall anchors
- Optional 6" and 12" L brackets available

Quality and Reliability

- 2-year Parts & Labor manufacturer's warranty
- 3-year warranty offered through ENR-G program (Education, Non-Profit, Religious and Government)
- GREENGUARD® and GREENGUARD® Gold Certified | UL 2818

2.2 Certifications



3.3 Model Numbers

Model Numbers	Nominal Diagonal	Aspect Ratio	View Height (in)	View Width (in)	View Height (mm)	View Width (mm)	Top Masking	Gain	Screen Material	Case Color
M71UWS1	71"	1:1	50.2	50.2	1275	1275	4.5	1.1	MaxWhite®	Black
M71XWS1	71"	1:1	50.2	50.2	1275	1275	4.5	1.1	MaxWhite®	White
M85UWS1	85"	1:1	60.1	60.1	1527	1527	4.5	1.1	MaxWhite®	Black
M85XWS1	85"	1:1	60.1	60.1	1527	1527	4.5	1.1	MaxWhite®	White
M99UWS1	99"	1:1	70.0	70.0	1778	1778	3.0	1.1	MaxWhite®	White
M99NWS1	99"	1:1	70.0	70.0	1778	1778	3.0	1.1	MaxWhite®	Black
M113UWS1	113"	1:1	79.9	79.9	2030	2030	4.5	1.1	MaxWhite®	White
M113NWS1	113"	1:1	79.9	79.9	2030	2030	4.5	1.1	MaxWhite®	Black
M119UWS1	119"	1:1	84.1	84.1	2137	2137	4.0	1.1	MaxWhite®	Black
M119XWS1	119"	1:1	84.1	84.1	2137	2137	4.0	1.1	MaxWhite®	White
M136UWS1	136"	1:1	96.2	96.2	2443	2443	4.5	1.1	MaxWhite®	Black
M136XWS1	136"	1:1	96.2	96.2	2443	2443	4.5	1.1	MaxWhite®	White
M170XWS1	170"	1:1	120.2	120.2	3053	3053	4.5	1.1	MaxWhite®	White
M80NWV	80"	4:3	48.0	64.0	1219	1626	4.5	1.1	MaxWhite®	White
M84NWV	84"	4:3	50.4	67.2	1280	1707	3.0	1.1	MaxWhite®	White
M100NWV1	100"	4:3	60.0	80.0	1524	2032	4.5	1.1	MaxWhite®	White
M100UWV1	100"	4:3	60.0	80.0	1524	2032	4.5	1.1	MaxWhite®	Black
M120XWV2	120"	4:3	72.0	96.0	1829	2438	4.5	1.1	MaxWhite®	Black

PRODUCT WHITE PAPER

<http://www.elitescreens.com>



M120UWV2	120"	4:3	72.0	96.0	1829	2438	4.5	1.1	MaxWhite®	White
M135XWV2	135"	4:3	81.0	108.0	2057	2743	4.5	1.1	MaxWhite®	Black
M135UWV2	135"	4:3	81.0	108.0	2057	2743	4.5	1.1	MaxWhite®	White
M150XWV2	150"	4:3	90.0	120.0	2286	3048	4.5	1.1	MaxWhite®	Black
M150UWV2	150"	4:3	90.0	120.0	2286	3048	4.5	1.1	MaxWhite®	White
M80UWH	80"	16:9	39.2	69.7	996	1771	4.5	1.1	MaxWhite®	Black
M84UWH	84"	16:9	41.2	73.2	1046	1860	4.5	1.1	MaxWhite®	Black
M84UWH-E30	84"	16:9	41.2	73.2	1046	1860	30.0	1.1	MaxWhite®	Black
M84XWH-E30	84"	16:9	41.2	73.2	1046	1860	30.0	1.1	MaxWhite®	White
M92UWH	92"	16:9	45.1	80.2	1146	2037	4.5	1.1	MaxWhite®	Black
M100XWH	100"	16:9	49.0	87.2	1245	2214	4.5	1.1	MaxWhite®	Black
M100UWH	100"	16:9	49.0	87.2	1245	2214	4.5	1.1	MaxWhite®	White
M100XWH-E24	100"	16:9	49.0	87.2	1245	2214	24.0	1.1	MaxWhite®	White
M106UWH	106"	16:9	52.0	92.4	1320	2347	4.5	1.1	MaxWhite®	Black
M106UWH-E24	106"	16:9	52.0	92.4	1320	2347	24.0	1.1	MaxWhite®	Black
M120XWH2	120"	16:9	58.8	104.6	1494	2657	4.5	1.1	MaxWhite®	Black
M120UWH2	120"	16:9	58.8	104.6	1494	2657	4.5	1.1	MaxWhite®	White
M120XWH2-E24	120"	16:9	58.8	104.6	1494	2657	24.0	1.1	MaxWhite®	White
M135XWH2	135"	16:9	66.2	117.7	1681	2989	4.5	1.1	MaxWhite®	Black
M135UWH2	135"	16:9	66.2	117.7	1681	2989	4.5	1.1	MaxWhite®	White
M142UWH2	142"	16:9	69.6	126.8	1768	3220	4.5	1.1	MaxWhite®	Black
M150XWH2	150"	16:9	73.5	130.7	1868	3321	4.5	1.1	MaxWhite®	White
M150UWH2	150"	16:9	73.5	130.7	1868	3321	4.5	1.1	MaxWhite®	Black
M86UWX	86"	16:10	45.6	72.9	1158	1852	4.5	1.1	MaxWhite®	Black
M94UWX	94"	16:10	49.8	79.7	1265	2025	4.5	1.1	MaxWhite®	Black
M109UWX	109"	16:10	57.8	92.4	1467	2348	4.0	1.1	MaxWhite®	Black
M128UWX	128"	16:10	67.8	108.5	1723	2757	4.5	1.1	MaxWhite®	Black
M139UWX	139"	16:10	73.7	117.9	1871	2994	4.5	1.1	MaxWhite®	Black
M95UWC-E18	95"	2.35:1	37.2	87.2	945	2214	18.0	1.1	MaxWhite®	Black
M114UWC-E18	114"	2.35:1	44.6	104.6	1134	2657	18.0	1.1	MaxWhite®	Black

Section 3: Screen Material

3.1 Characteristic

MaxWhite® Screen Material is the most versatile screen surface for front projection presentations. This material provides the widest possible viewer angles with perfect diffusion uniformity while giving precise definition, image color reproduction and black & white contrast.

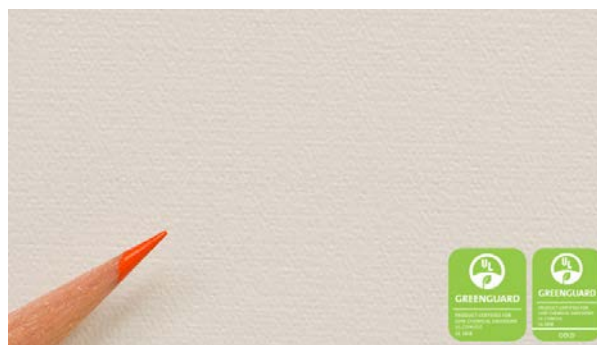
Elite Screens Inc. | Elite Screens Europe GmbH | Elite Screens India | Elite Screens China Ltd.
 Elite Screens Taiwan Corp | Elite Screens Japan | Elite Screens Australia

PRODUCT WHITE PAPER

<http://www.elitescreens.com>



Screen Surface has blackbacking to avoid light penetration and can be cleaned safely with mild soap and water. Woven screen material is a, multi-layer, cross-array coated with a matte white reflective compound.



Features & Benefits

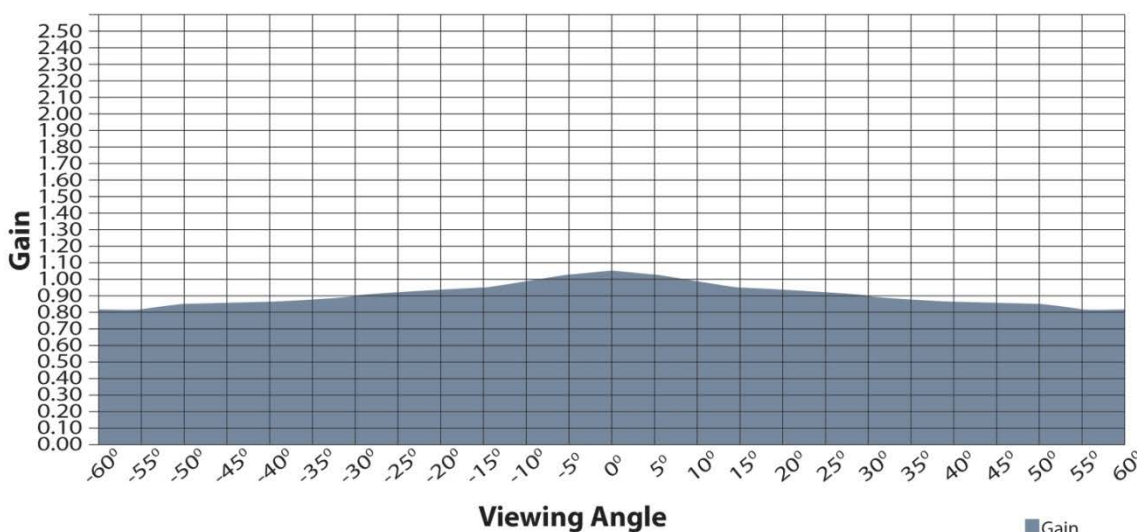
- Gain: 1.1
- View Angle: 180° (90° LR)
- Screen Surface can be easily cleaned
- Multi-Layer Weave and Textured Surface Coating
- Mildew Resistant
- Black Backing
- GREENGUARD® & GREENGUARD Gold® Certified

Specifications	
Thickness	0.41 mm (0.016")
Weight	530 g/m ²
Maximum Height	3.2 M (10 ft)
On-axis Gain	1.1
Half-Gain Angle	Does not reach half gain

3.2 Gain and Viewing Angle Chart



On axis 0° Gain: 1.1
Viewing Cone: 180°



Section 4: Execution

4.1. E-TYPE User Guide

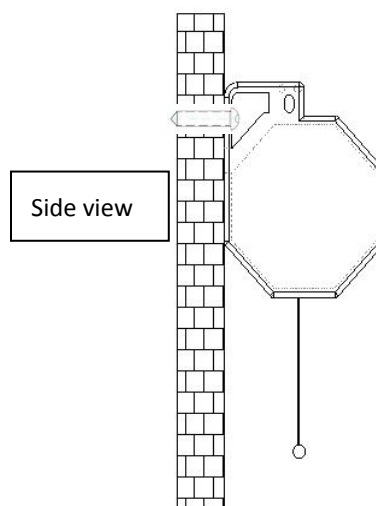
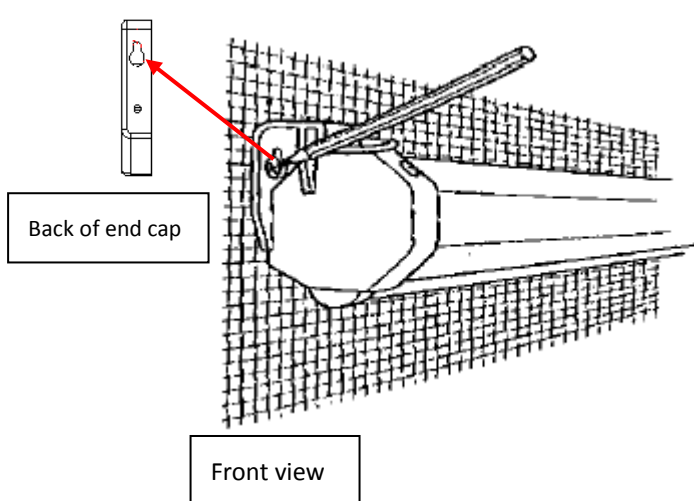
4.1.1 Pre-installation

1. Carefully unpack the screen.
2. Always handle the screen in a leveled position on a clean surface.

4.1.2 Installation

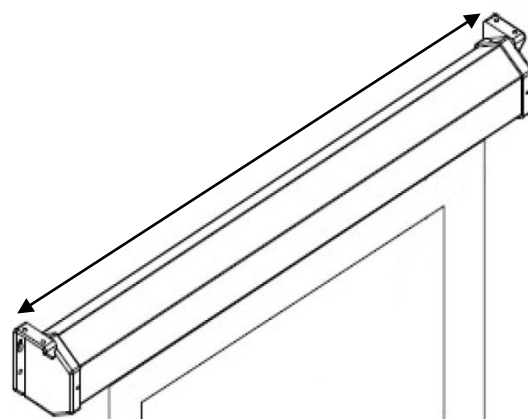
Flush Wall Mounting

1. Measure the distance between the keyholes located on the back of the end cap
2. Mark the location of where the screen is to be installed for the pre-drilled hole.
3. After marking the area and drilling the hole, insert the proper screw into the drilled hole and leave about 1/8" of an inch from the wall to mount the screen.
4. Mount your screen from the keyhole located on back of screen's left and right end cap.



Flush Ceiling Mounting

1. Measure the distance between the top screw holes located on the top of the end caps.
2. Mark the location of where the screen is to be installed for the pre-drilled hole.
3. Drill your hole, use a hollow wall anchor if needed
4. Insert the proper screw into the drilled hole and secure the screen to the ceiling.



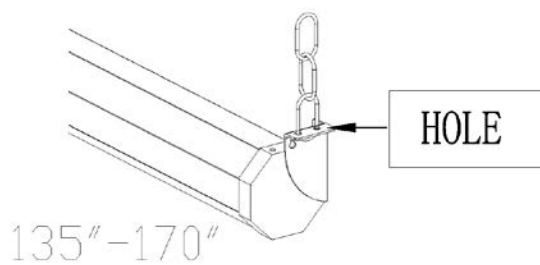
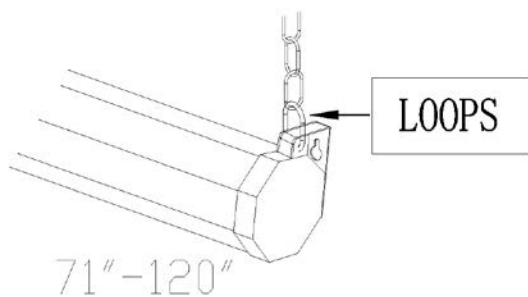
Ceiling Suspended Mounting (additional hardware required)

Optional installation using a chain to hang the screen from the ceiling.

1. You can also hang the screen on a ceiling by using a chain and hang it by the two loops (models 71-120) located on each end of the case or by the end cap's ears (models 135-170).

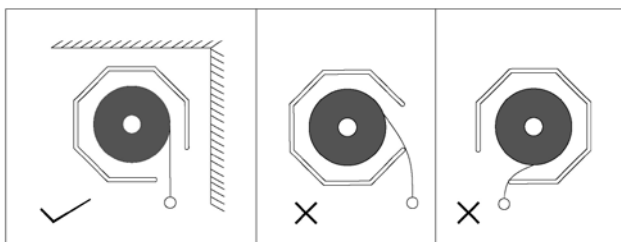


Note: Chain and U bolt/D ring not included.



4.1.3 Screen Operation

*Note: **Always** pull the screen down or let it up in a 90-degree vertical angle. Do not allow the screen to touch the screen case when the screen goes up or comes down to avoid damaging the screen material.*

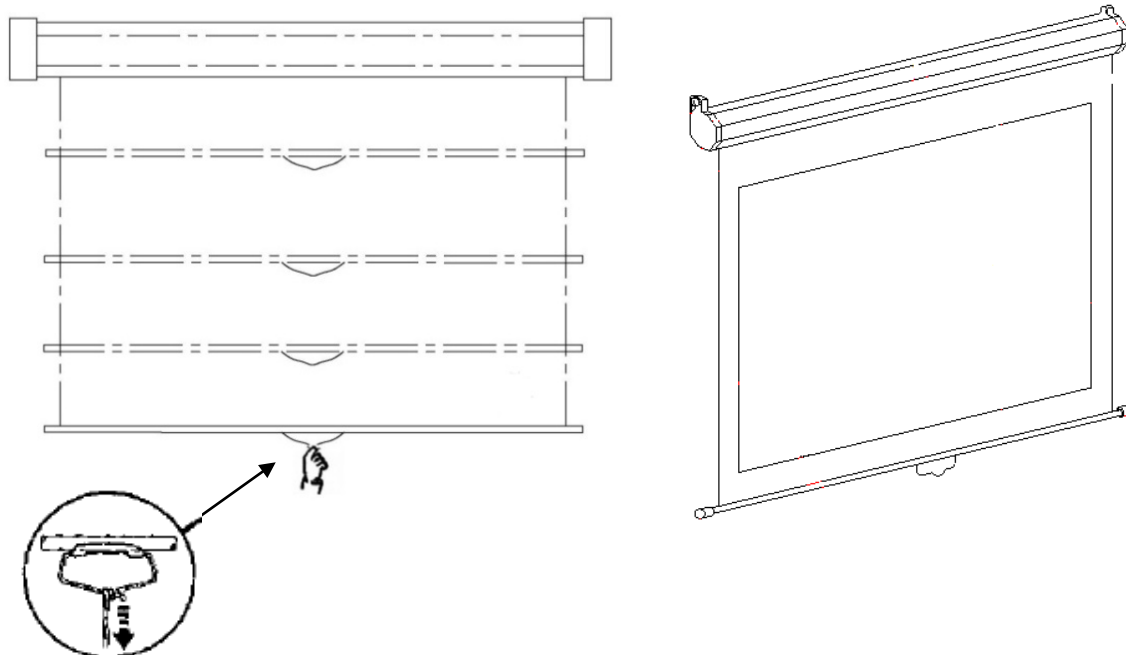


1. Pull the screen down from the lanyard or from the handle only in a 90-degree angle. Do not attempt to pull the screen down by the surface or touch the screen, as it will damage the screen and void the warranty.

Note: An internal auto-lock mechanism system will cause the screen to stop and lock on the position at intervals.

2. If you want the screen to retract back, simply pull the screen down more than 2 inches and retract the screen back by quickly and smoothly releasing it up gently.

Note: Always release at a 90-degree angle and do not let go until the screen is entirely inside the case. If ever the screen feels stuck, keep in mind that the screen's mechanism is new and needs to be run up/down a few times to loosen up. If this happens, carefully with a little force yank the screen straight down to unlock the screen.



Note: Improperly bringing the screen up/down will damage the screen material or rolling system.

RETRACTION TIP: If you are not able to pull the screen down two inches when attempting to retract it, give the screen a quick yank downwards with a little bit of force. Please be sure to not stand directly under the housing of the unit when yanking down on the screen.

4.1.4 Maintenance

Clean matte white screen material with a soft cloth and mild soap with water.

When not in use, retract screen in its housing to keep the screen material surface clean.

NOTE:

Regardless of mounting method, the screen should be securely supported so that vibration or even abusive pulling on the viewing surface will not cause the case to work loose or fall. The installer must insure that the fasteners used are of adequate strength and suitable for the mounting surface chosen.

4.2 R-TYPE User Guide

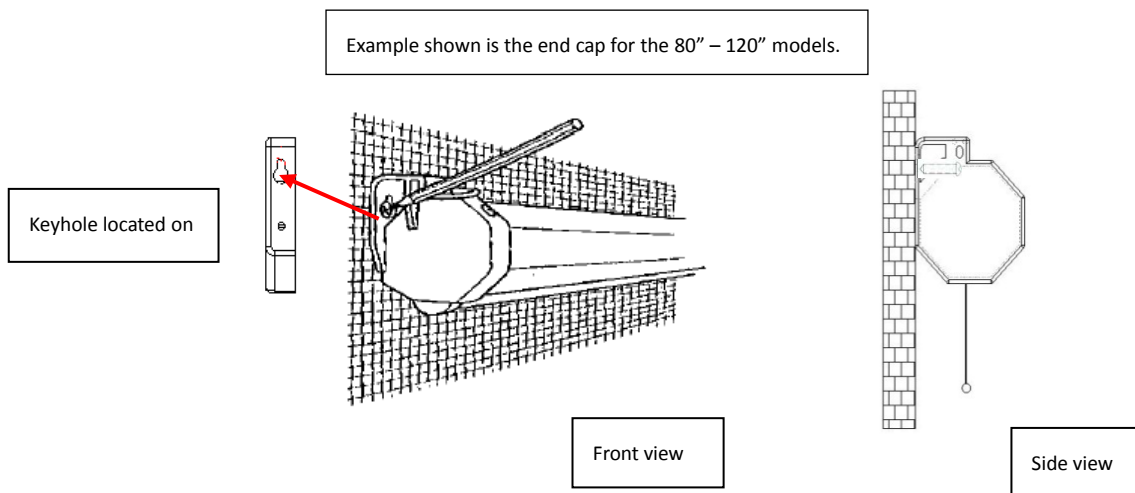
4.2.1 Screen Installation

A. Flush Wall Installation

1. Measure the distance of the keyholes on the end caps and mark the location of where the screen is to be installed for the pre-drilled hole.
2. After marking the area and drilling the hole, insert the proper screw into the drilled

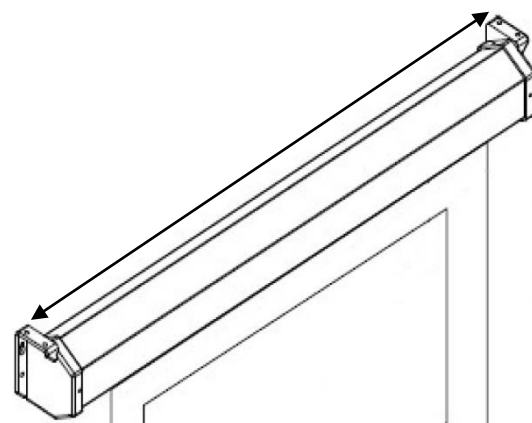
hole and leave about 1/8 of an inch from the wall to mount the screen.

3. Mount your screen from the keyhole located on the back of the screen's left and right end caps.



B. Flush Ceiling Mounting (only for models 135" and above)

1. Measure the distance between the top screw holes located on the top of the end caps.
5. Mark the location of where the screen is to be installed for the pre-drilled hole.
6. Drill your hole, use a hollow wall anchor if needed
7. Insert the proper screw into the drilled hole and secure the screen to the ceiling.

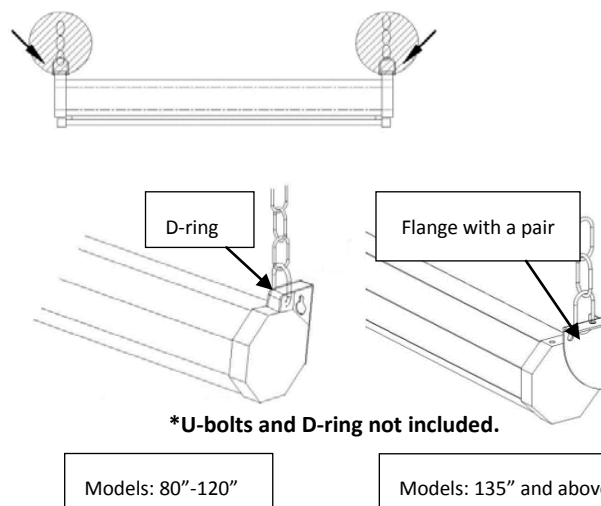


C. Suspended Ceiling Installation (for models 80"-120")

1. You can hang the screen from the ceiling by using chains (not included) and hooking them to the D-ring loops on models 80"-120", which are located on each end of the end cap.

For models 135"- and above, D-ring or U-bolts (not included) are required to create loops for hanging the screen with chains from the end caps' flanges.

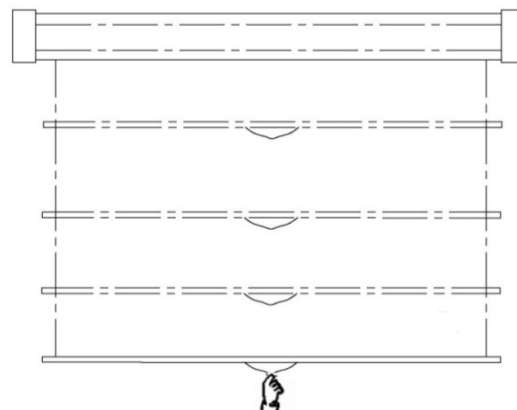
Note: Please consult with a hardware store professional for proper screws for your specific wall or ceiling installation. The installer must ensure that proper mounting hardware and fasteners used are of adequate strength and suitable for the mounting surface.



4.2.2 Screen Operation

1. Pull the screen down from the lanyard or from the handle only at a 90-degree angle. The screen is designed with an auto-lock system. Make sure to pull straight down and allowing the screen to come up to lock into place. **Do not attempt to pull the screen down by the surface or touch the screen, as it will damage the screen and void the warranty.**

2. To retract the screen, simply pull the screen down more than two inches with a quick snap of the wrist and guide it back up in to the housing without releasing the handle.



Attention: When retracting, always pull the screen down at a 90-degree angle and **do not let go** until the screen is entirely inside the housing. If ever the screen feels stuck, keep in mind that the screen’s mechanism is new and needs to be run up/down a few times to loosen up. If this happens, carefully, with a little force, yank the screen straight down to unlock the mechanism.

RETRACTION TIP: If you are not able to pull the screen down two inches when attempting to retract it, give the screen a quick yank downwards with a little bit of force. Please be sure to not stand directly under the housing of the unit when yanking down on the screen.

Section 5: Product Specifications

5.1.1 Dimensions - E-TYPE

Model Number	Diag Size	Aspect Ratio	A	A1	A2	A3	A4	B4	B3	B1	B	B5	B2	C	C1
Unit: Inches															
M80UWH	80"	16:9	76.0	72.7	69.7	75.9	75.2	2.4	46.1	39.2	49.4	3.2	4.5	2.7	0.8
M84UWH	84"	16:9	79.3	76.2	73.2	79.1	78.5	2.4	48.1	41.2	51.3	3.2	4.5	2.7	0.8
M84UWH-E30	84"	16:9	79.3	76.2	73.2	79.1	78.5	2.4	73.6	41.2	76.9	3.2	30.0	2.7	0.8
M84XWH-E30	84"	16:9	79.3	76.2	73.2	79.1	78.5	2.4	73.6	41.2	76.9	3.2	30.0	2.7	0.8
M92UWH	92"	16:9	85.3	82.4	80.2	85.1	84.4	2.4	52.0	45.1	55.3	3.2	4.5	2.7	0.8
M100UWH	100"	16:9	93.5	90.2	87.2	93.3	92.6	2.4	55.9	49.0	59.6	3.6	4.5	3.1	0.8
M100XWH	100"	16:9	93.5	90.2	87.2	93.3	92.6	2.4	55.9	49.0	59.6	3.6	4.5	3.1	0.8
M100XWH-E24	100"	16:9	93.5	90.2	87.2	93.3	92.6	2.4	75.5	49.0	79.1	3.6	24.0	3.1	0.8
M106UWH	106"	16:9	98.7	95.4	92.4	98.5	97.8	2.4	58.9	52.0	62.5	3.6	4.5	3.1	0.8
M106UWH-E24	106"	16:9	98.7	95.4	92.4	98.5	97.8	2.4	78.4	52.0	82.0	3.6	24.0	3.1	0.8

PRODUCT WHITE PAPER

<http://www.elitescreens.com>



M120UWH2	120"	16:9	110.9	107.6	104.6	110.7	110.0	2.4	65.7	58.8	69.4	3.6	4.5	3.1	0.8
M120XWH2	120"	16:9	110.9	107.6	104.6	110.7	110.0	2.4	65.7	58.8	69.4	3.6	4.5	3.1	0.8
M120XWH2-E24	120"	16:9	110.9	107.6	104.6	110.7	110.0	2.4	85.3	58.8	88.9	3.6	24.0	3.1	0.8
M135UWH2	135"	16:9	125.4	120.7	117.7	123.6	123.1	2.4	73.1	66.2	77.2	4.1	4.5	3.5	0.8
M135XWH2	135"	16:9	125.4	120.7	117.7	123.6	123.1	2.4	73.1	66.2	77.2	4.1	4.5	3.5	0.8
M142UWH2	142"	16:9	131.7	126.8	123.8	129.9	129.4	2.4	76.5	69.6	80.7	4.1	4.5	3.5	0.8
M150UWH2	150"	16:9	138.6	133.7	130.7	136.9	136.4	2.4	80.5	73.5	84.6	4.1	4.5	3.5	0.8
M150XWH2	150"	16:9	138.6	133.7	130.7	136.9	136.4	2.4	80.5	73.5	84.6	4.1	4.5	3.5	0.8
M80NWV	80"	4:3	70.3	67.0	64.0	70.2	69.5	2.0	54.5	48.0	57.8	3.2	4.5	2.7	0.8
M84NWV	84"	4:3	73.5	70.2	67.2	73.3	72.7	2.0	55.4	50.4	58.7	3.2	3.0	2.7	0.8
M100NWV1	100"	4:3	85.3	70.2	67.2	73.3	84.4	2.0	55.4	50.4	58.7	3.2	3.0	2.7	0.8
M100UWV1	100"	4:3	85.3	82.2	80.0	85.1	84.4	2.4	66.9	60.0	70.2	3.2	4.5	2.7	0.8
M120UWV2	120"	4:3	102.3	99.0	96.0	102.1	101.5	2.4	78.9	72.0	82.6	3.6	4.5	3.1	0.8
M120XWV2	120"	4:3	102.3	99.0	96.0	102.1	101.5	2.4	78.9	72.0	82.6	3.6	4.5	3.1	0.8
M135UWV2	135"	4:3	116.3	111.0	108.0	114.5	114.1	2.4	87.9	81.0	92.0	4.1	4.5	3.5	0.8
M135XWV2	135"	4:3	116.3	111.0	108.0	114.5	114.1	2.4	87.9	81.0	92.0	4.1	4.5	3.5	0.8
M150UWV2	150"	4:3	127.9	123.0	120.0	126.1	125.7	2.4	96.9	90.0	101.1	4.1	4.5	3.5	0.8
M150XWV2	150"	4:3	127.9	123.0	120.0	126.1	125.7	2.4	96.9	90.0	101.1	4.1	4.5	3.5	0.8
M71UWS1	71"	1:1	56.4	53.2	50.2	56.2	55.6	2.4	57.1	50.2	60.4	3.2	4.5	2.7	0.8
M71XWS1	71"	1:1	56.4	53.2	50.2	56.2	55.6	2.4	57.1	50.2	60.4	3.2	4.5	2.7	0.8
M85UWS1	85"	1:1	66.4	63.1	60.1	66.2	65.6	2.4	67.0	60.1	70.3	3.2	4.5	2.7	0.8
M85XWS1	85"	1:1	66.4	63.1	60.1	66.2	65.6	2.4	67.0	60.1	70.3	3.2	4.5	2.7	0.8
M99NWS1	99"	1:1	76.3	73.0	70.0	76.1	75.5	2.4	75.4	70.0	79.1	3.6	3.0	3.1	0.8
M99UWS1	99"	1:1	76.3	73.0	70.0	76.1	75.5	2.4	75.4	70.0	79.1	3.6	3.0	3.1	0.8
M113NWS1	113"	1:1	86.3	82.9	79.9	86.1	85.5	2.4	86.9	79.9	90.5	3.6	4.5	3.1	0.8
M113UWS1	113"	1:1	86.3	82.9	79.9	86.1	85.5	2.4	86.9	79.9	90.5	3.6	4.5	3.1	0.8
M119UWS1	119"	1:1	90.3	87.1	84.1	90.2	89.5	2.4	90.6	84.1	94.2	3.6	4.0	3.1	0.8
M119XWS1	119"	1:1	90.3	87.1	84.1	90.2	89.5	2.4	90.6	84.1	94.2	3.6	4.0	3.1	0.8
M136UWS1	136"	1:1	102.3	99.2	96.2	102.1	101.5	2.4	103.1	96.2	106.7	3.6	4.5	3.1	0.8
M136XWS1	136"	1:1	102.3	99.2	96.2	102.1	101.5	2.4	103.1	96.2	106.7	3.6	4.5	3.1	0.8
M170XWS1	170"	1:1	127.9	123.2	120.2	126.1	125.7	2.4	127.1	120.2	131.3	4.1	4.5	3.5	0.8
M86UWX	86"	16:10	79.3	75.9	72.9	79.1	78.5	2.4	52.5	45.6	55.7	3.2	4.5	2.7	0.8
M94UWX	94"	16:10	85.3	82.7	79.7	85.1	84.4	2.4	56.7	49.8	60.0	3.2	4.5	2.7	0.8
M109UWX	109"	16:10	98.7	95.4	92.4	98.5	97.8	2.4	64.2	57.8	68.3	3.6	4.0	3.1	0.8
M128UWX	128"	16:10	116.3	111.5	108.5	114.5	114.1	2.4	74.8	67.8	78.9	4.1	4.5	3.1	0.8

PRODUCT WHITE PAPER

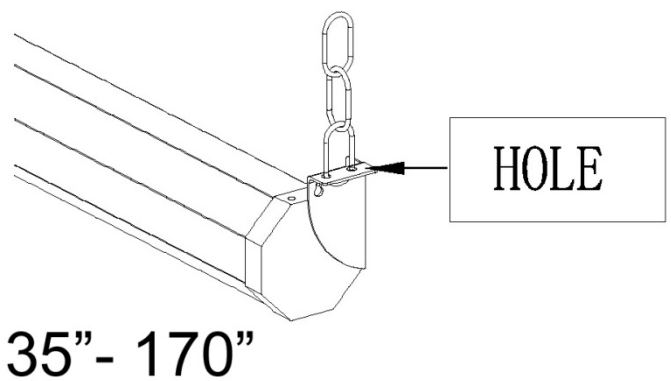
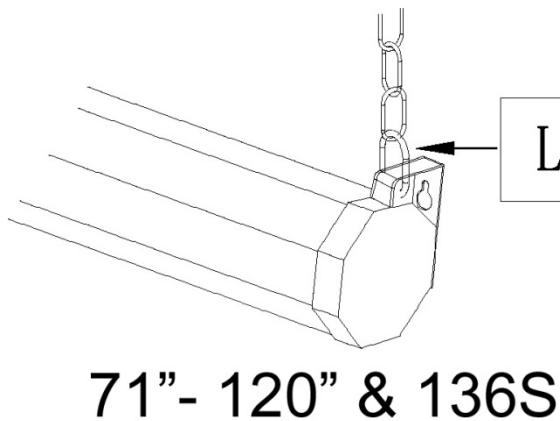
<http://www.elitescreens.com>



Model Number	Diag Size	Aspect Ratio	A	A1	A2	A3	A4	B4	B3	B1	B	B5	B2	C	C1
M139UWX	139"	16:10	125.4	120.9	117.9	123.6	123.1	2.4	80.6	73.7	84.7	4.1	4.5	3.1	0.8
M95UWC-E18	95"	2.35:1	93.5	90.2	87.2	93.3	92.6	2.4	57.6	37.2	61.3	3.6	18.0	3.1	0.8
M114UWC-E18	114"	2.35:1	110.9	107.6	104.6	110.7	110.0	2.4	65.1	44.6	68.7	3.6	18.0	3.1	0.8
Unit: mm															
M80UWH	80"	16:9	1931	1847	1771	1927	1910	62	1172	996	1254	82	114	69	20
M84UWH	84"	16:9	2014	1936	1860	2010	1993	62	1222	1046	1304	82	114	69	20
M84UWH-E30	84"	16:9	2014	1936	1860	2010	1993	62	1870	1046	1952	82	762	69	20
M84XWH-E30	84"	16:9	2014	1936	1860	2010	1993	62	1870	1046	1952	82	762	69	20
M92UWH	92"	16:9	2166	2093	2037	2162	2145	62	1322	1146	1404	82	114	69	20
M100UWH	100"	16:9	2374	2290	2214	2370	2353	62	1421	1245	1513	92	114	80	20
M100XWH	100"	16:9	2374	2290	2214	2370	2353	62	1421	1245	1513	92	114	80	20
M100XWH-E24	100"	16:9	2374	2290	2214	2370	2353	62	1917	1245	2009	92	610	80	20
M106UWH	106"	16:9	2506	2423	2347	2502	2485	62	1496	1320	1588	92	114	80	20
M106UWH-E24	106"	16:9	2506	2423	2347	2502	2485	62	1992	1320	2084	92	610	80	20
M120UWH2	120"	16:9	2816	2733	2657	2812	2795	62	1670	1494	1762	92	114	80	20
M120XWH2	120"	16:9	2816	2733	2657	2812	2795	62	1670	1494	1762	92	114	80	20
M120XWH2-E24	120"	16:9	2816	2733	2657	2812	2795	62	2166	1494	2258	92	610	80	20
M135UWH2	135"	16:9	3184	3065	2989	3140	3128	62	1857	1681	1962	105	114	88	20
M135XWH2	135"	16:9	3184	3065	2989	3140	3128	62	1857	1681	1962	105	114	88	20
M142UWH2	142"	16:9	3344	3220	3144	3300	3288	62	1944	1768	2049	105	114	88	20
M150UWH2	150"	16:9	3520	3397	3321	3476	3464	62	2044	1868	2149	105	114	88	20
M150XWH2	150"	16:9	3520	3397	3321	3476	3464	62	2044	1868	2149	105	114	88	20
M80NWV	80"	4:3	1786	1702	1626	1782	1765	52	1385	1219	1467	82	114	69	20
M84NWV	84"	4:3	1867	1783	1707	1863	1846	52	1408	1280	1490	82	76	69	20
M100NWV1	100"	4:3	2166	2088	2032	2162	2145	62	1700	1524	1782	82	114	69	20
M100UWV1	100"	4:3	2166	2088	2032	2162	2145	62	1700	1524	1782	82	114	69	20
M120UWV2	120"	4:3	2598	2514	2438	2594	2577	62	2005	1829	2097	92	114	80	20
M120XWV2	120"	4:3	2598	2514	2438	2594	2577	62	2005	1829	2097	92	114	80	20
M135UWV2	135"	4:3	2953	2819	2743	2909	2897	62	2233	2057	2338	105	114	88	20
M135XWV2	135"	4:3	2953	2819	2743	2909	2897	62	2233	2057	2338	105	114	88	20
M150UWV2	150"	4:3	3248	3124	3048	3204	3192	62	2462	2286	2567	105	114	88	20
M150XWV2	150"	4:3	3248	3124	3048	3204	3192	62	2462	2286	2567	105	114	88	20
M71UWS1	71"	1:1	1432	1351	1275	1428	1411	62	1451	1275	1533	82	114	69	20

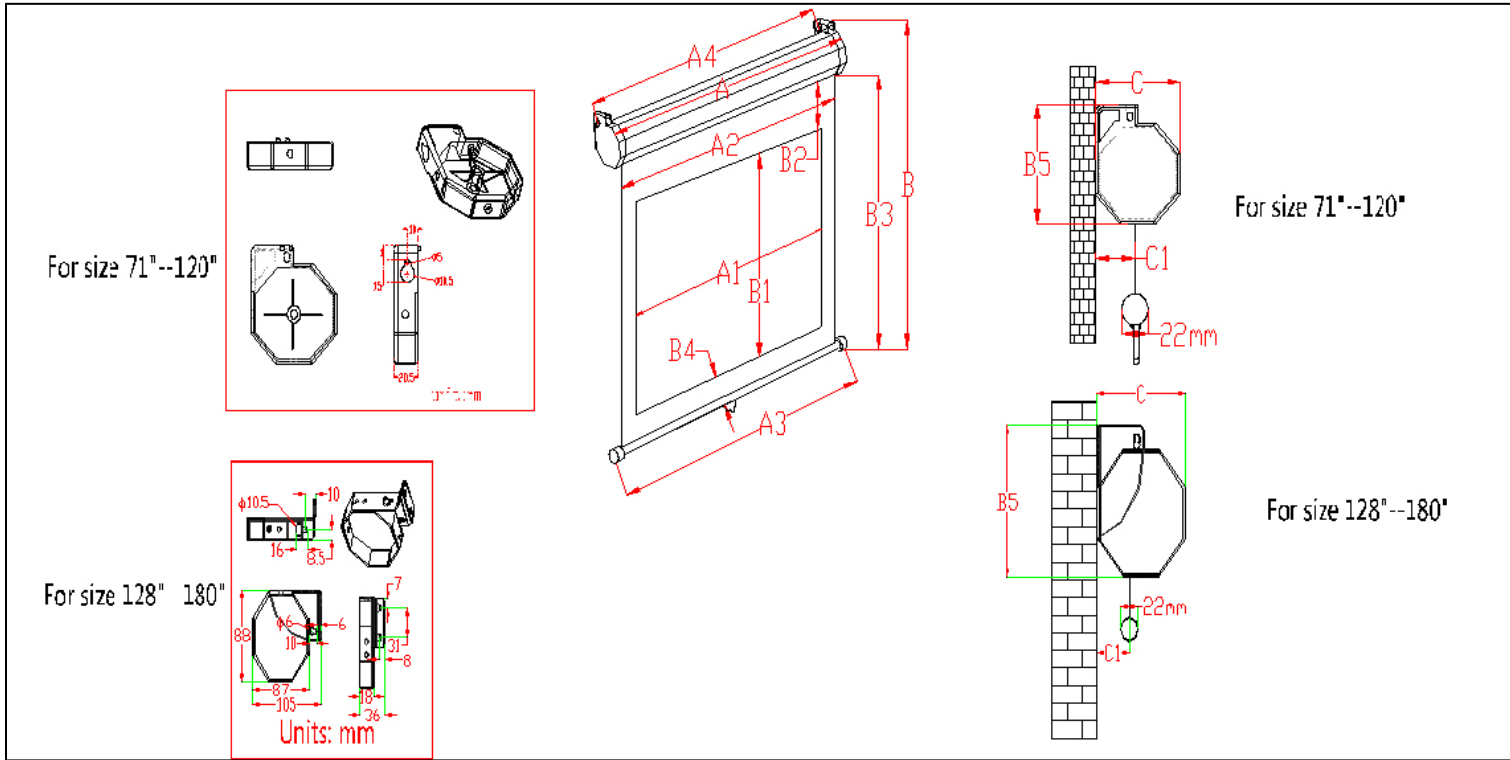
M71XWS1	71"	1:1	1432	1351	1275	1428	1411	62	1451	1275	1533	82	114	69	20
M85UWS1	85"	1:1	1686	1603	1527	1682	1665	62	1703	1527	1785	82	114	69	20
M85XWS1	85"	1:1	1686	1603	1527	1682	1665	62	1703	1527	1785	82	114	69	20
M99NWS1	99"	1:1	1938	1854	1778	1934	1917	62	1916	1778	2008	92	76	80	20
M99UWS1	99"	1:1	1938	1854	1778	1934	1917	62	1916	1778	2008	92	76	80	20
M113NWS1	113"	1:1	2192	2106	2030	2188	2171	62	2206	2030	2298	92	114	80	20
M113UWS1	113"	1:1	2192	2106	2030	2188	2171	62	2206	2030	2298	92	114	80	20
M119UWS1	119"	1:1	2294	2213	2137	2290	2273	62	2300	2137	2392	92	101	80	20
M119XWS1	119"	1:1	2294	2213	2137	2290	2273	62	2300	2137	2392	92	101	80	20
M136UWS1	136"	1:1	2598	2519	2443	2594	2577	62	2619	2443	2711	92	114	80	20
M136XWS1	136"	1:1	2598	2519	2443	2594	2577	62	2619	2443	2711	92	114	80	20
M170XWS1	170"	1:1	3248	3129	3053	3204	3192	62	3229	3053	3334	105	114	88	20
M86UWX	86"	16:10	2014	1928	1852	2010	1993	62	1334	1158	1416	82	114	69	20
M94UWX	94"	16:10	2166	2101	2025	2162	2145	62	1441	1265	1523	82	114	69	20
M109UWX	109"	16:10	2506	2424	2348	2502	2485	62	1630	1467	1735	92	101	80	20
M128UWX	128"	16:10	2953	2833	2757	2909	2897	62	1899	1723	2004	105	114	80	20
M139UWX	139"	16:10	3184	3070	2994	3140	3128	62	2047	1871	2152	105	114	80	20
M95UWC-E18	95"	2.35:1	2374	2290	2214	2370	2353	62	1464	945	1556	92	457	80	20
M114UWC-E18	114"	2.35:1	2816	2733	2657	2812	2795	62	1653	1134	1745	92	457	80	20

5.1.2 Drawings - E-TYPE



PRODUCT WHITE PAPER

<http://www.elitescreens.com>

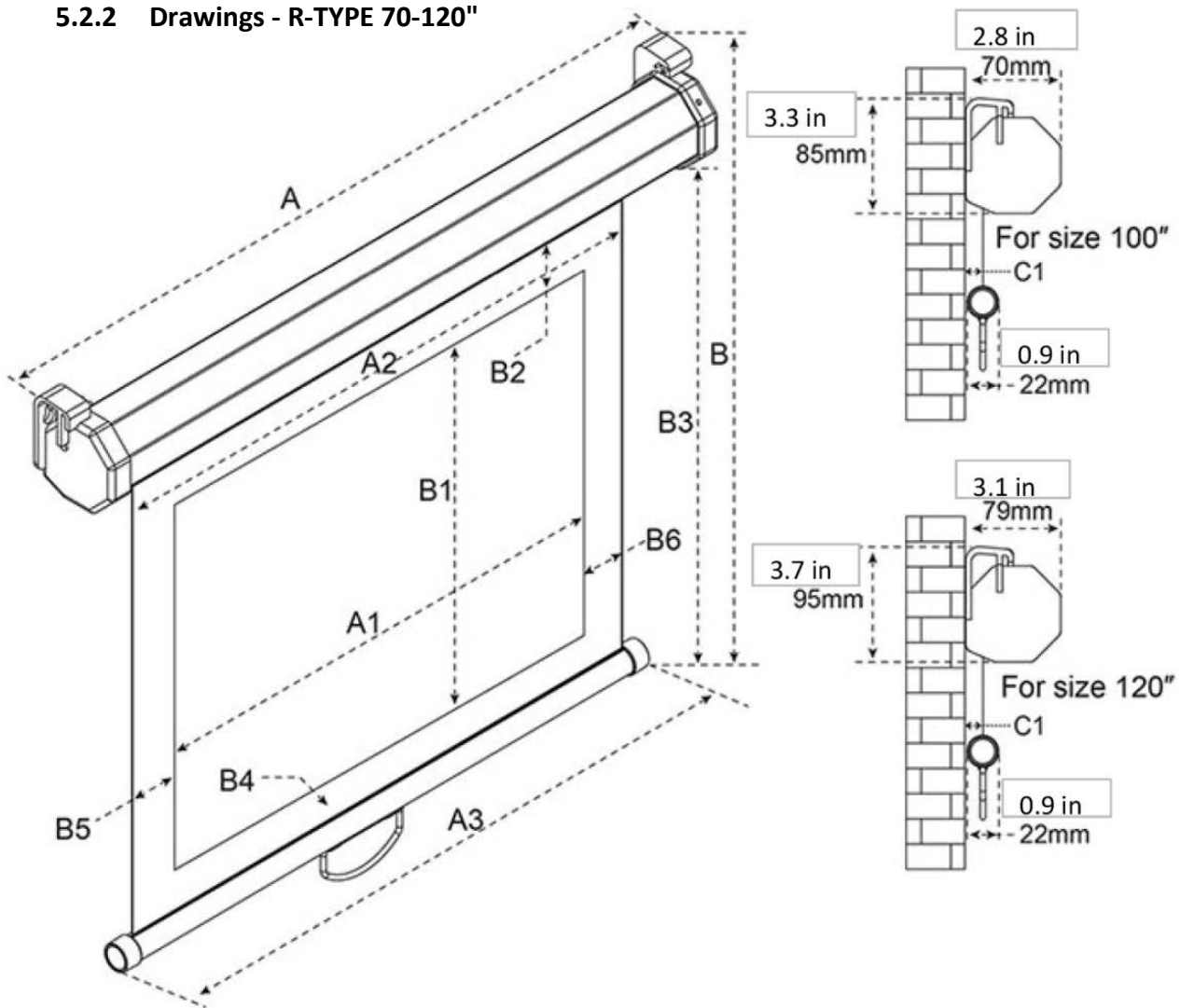


5.2.1 Dimensions - R-TYPE 70-120"

Model Number	Diag Size	Aspect Ratio	A	A1	A2	A3	B	B1	B2	B3	B4	A4	B5	B6
Unit: Inches														
M80UWH	80"	16:9	76.7	69.7	72.7	75.9	50.3	39.2	4.5	47.0	2.4	75.5	1.5	1.5
M80NWV	80"	4:3	70.9	64.0	67.0	70.2	70.5	48.0	4.5	55.4	2.0	69.8	1.5	1.5
M84UWH	84"	16:9	80.2	73.2	76.2	79.4	52.3	41.2	4.5	48.9	2.4	79.0	1.5	1.5
M84NWV	84"	4:3	74.1	67.2	70.2	73.3	59.6	50.4	3.0	56.3	2.0	73.0	1.5	1.5
M92UWH	92"	16:9	87.2	80.3	82.7	85.8	63.0	45.3	4.5	59.7	1.2	85.4	1.2	1.2
M100UWH	100"	16:9	93.3	87.2	89.4	92.5	59.9	49.0	4.7	56.5	2.0	92.1	1.1	1.1
M100XWH	100"	16:9	93.3	87.2	89.4	92.5	59.9	49.0	4.7	56.5	2.0	92.1	1.1	1.1
M100NWV1	100"	4:3	86.1	80.0	82.2	85.4	71.7	60.0	5.6	68.3	2.0	85.0	1.1	1.1
M100UWV1	100"	4:3	86.1	80.0	82.2	85.4	71.7	60.0	5.6	68.3	2.0	85.0	1.1	1.1
M120UWV2	120"	4:3	102.9	96.0	99.0	102.1	83.5	72.0	4.5	79.8	2.4	101.7	1.5	1.5
M120XWV2	120"	4:3	102.9	96.0	99.0	102.1	83.5	72.0	4.5	79.8	2.4	101.7	1.5	1.5
M120XWH2	120"	16:9	111.0	104.7	107.1	110.2	82.5	59.1	17.7	78.8	1.2	109.8	1.2	1.2
M120UWH2	120"	16:9	111.0	104.7	107.1	110.2	82.5	59.1	17.7	78.8	1.2	109.8	1.2	1.2
Unit: mm														
M80UWH	80"	16:9	1947	1771	1847	1927	1278	996	114	1193	62	1917	38	38

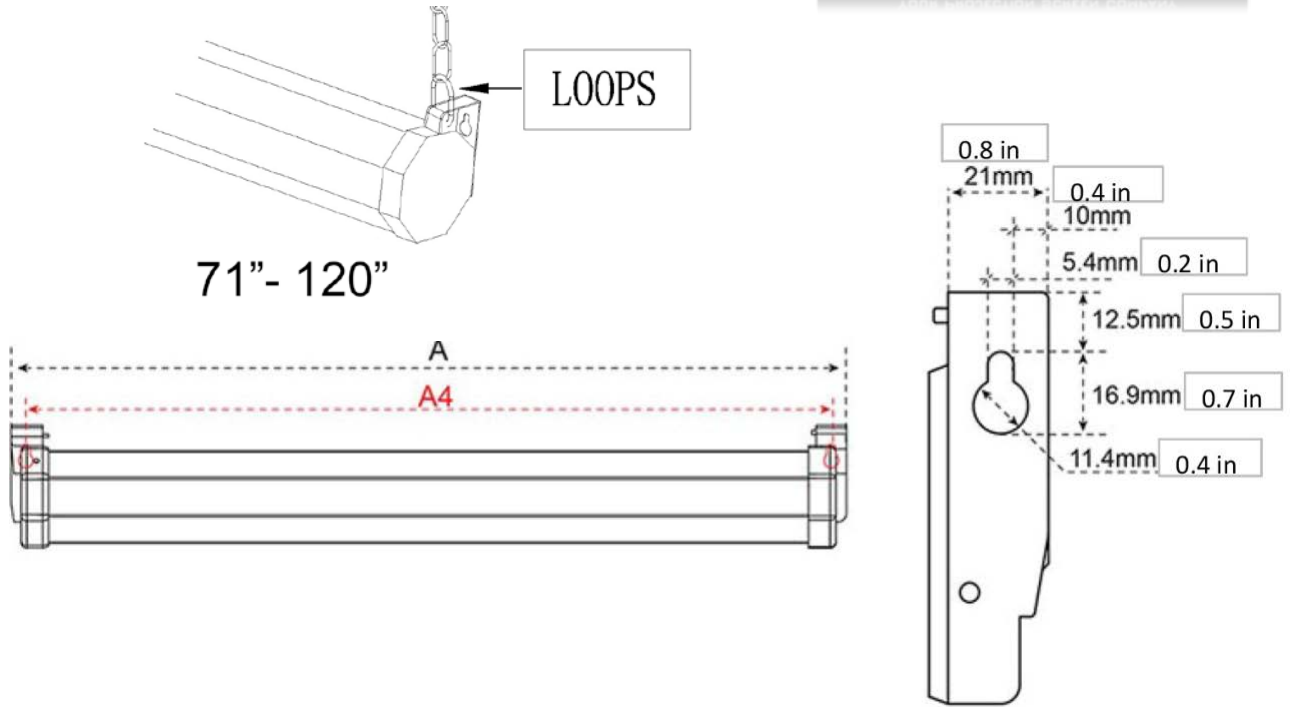
M80NWV	80"	4:3	1802	1626	1702	1782	1791	1219	114	1406	52	1772	38	38
M84UWH	84"	16:9	2036	1860	1936	2016	1328	1046	114	1243	62	2006	38	38
M84NWV	84"	4:3	1883	1707	1783	1863	1514	1280	76	1429	52	1853	38	38
M92UWH	92"	16:9	2216	2040	2100	2180	1601	1150	114	1516	30	2170	30	30
M100UWH	100"	16:9	2370	2214	2270	2350	1521	1245	120	1436	50	2340	28	28
M100XWH	100"	16:9	2370	2214	2270	2350	1521	1245	120	1436	50	2340	28	28
M100NWV1	100"	4:3	2188	2032	2088	2168	1821	1524	141	1736	50	2158	28	28
M100UWV1	100"	4:3	2188	2032	2088	2168	1821	1524	141	1736	50	2158	28	28
M120UWV2	120"	4:3	2614	2438	2514	2594	2121	1829	114	2026	62	2584	38	38
M120XWV2	120"	4:3	2614	2438	2514	2594	2121	1829	114	2026	62	2584	38	38
M120XWH2	120"	16:9	2820	2660	2720	2800	2096	1500	450	2001	30	2790	30	30
M120UWH2	120"	16:9	2820	2660	2720	2800	2096	1500	450	2001	30	2790	30	30

5.2.2 Drawings - R-TYPE 70-120"



PRODUCT WHITE PAPER

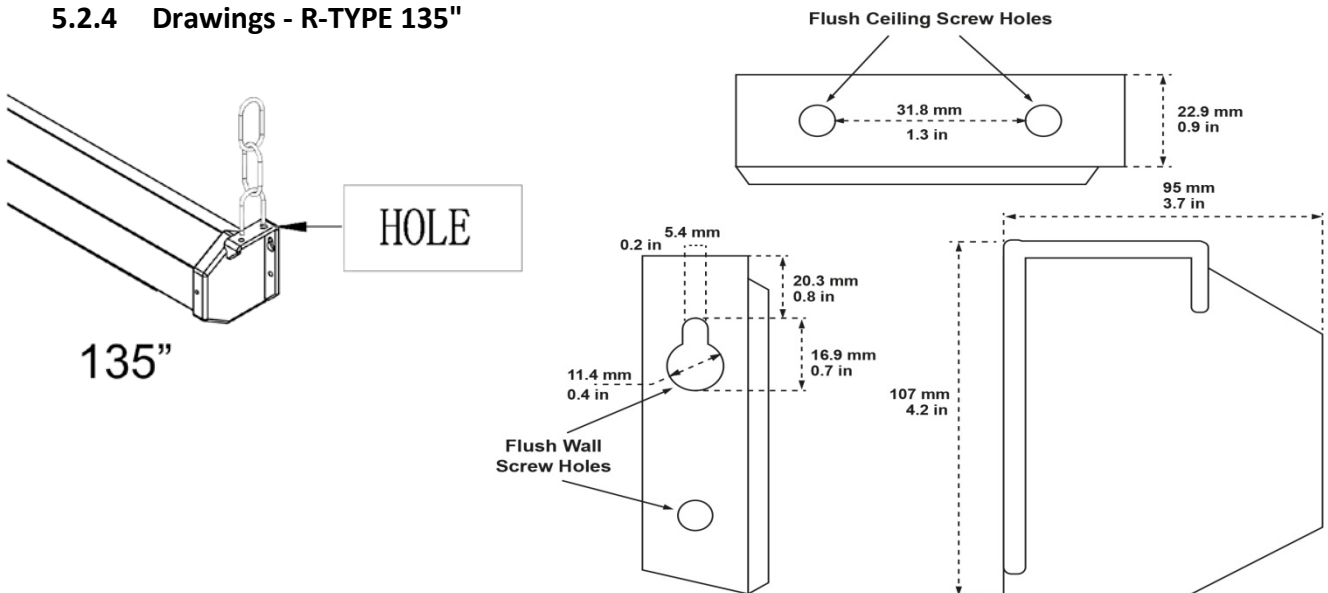
<http://www.elitescreens.com>



5.2.3 Dimensions - R-TYPE 135"

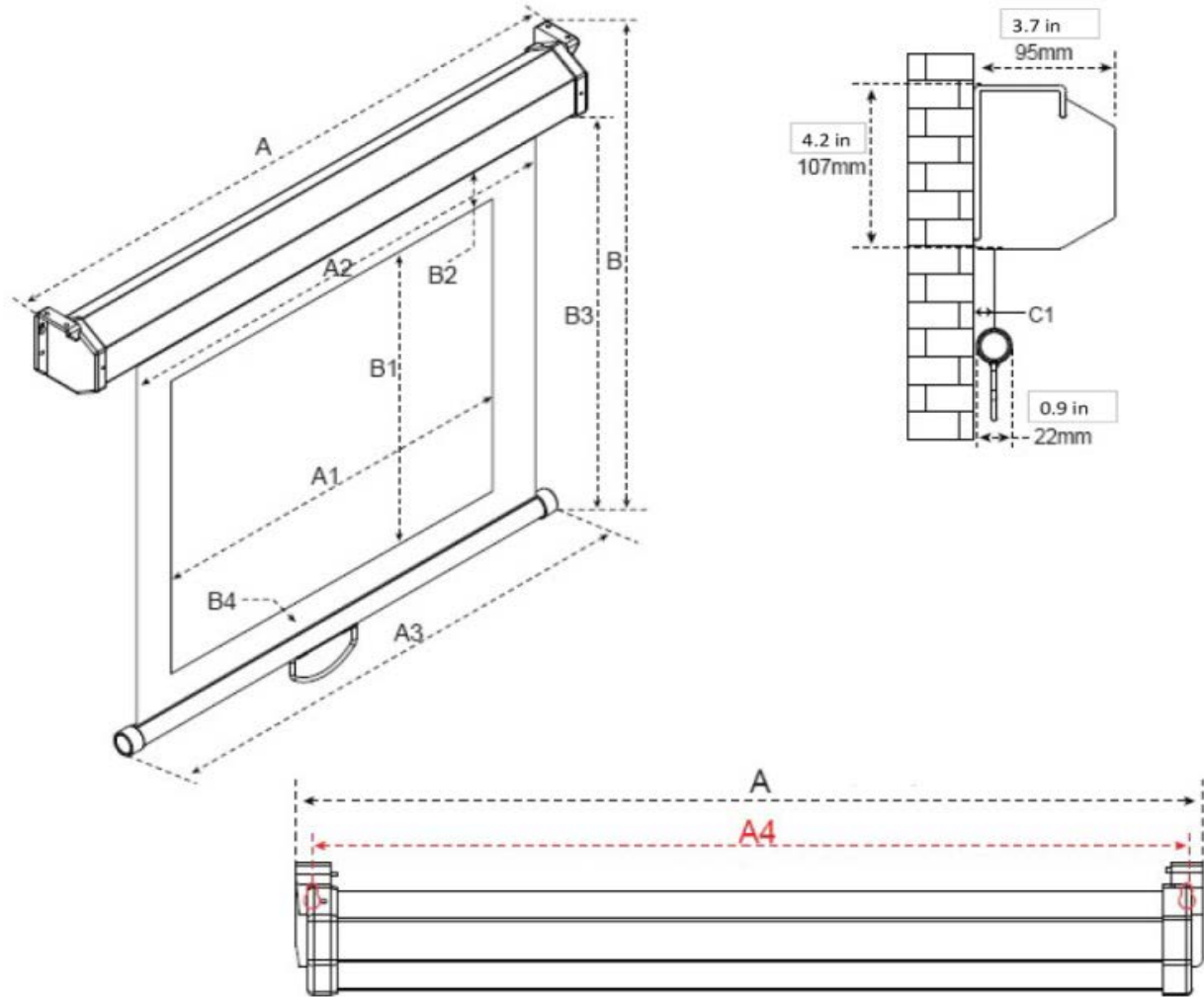
Model Number	Diag Size	Aspect Ratio	A	A1	A2	A3	B	B1	B2	B3	B4	A4	L/R Border
Unit: Inches													
M135UWH2	135"	16:9	126.0	118.1	121.3	124.4	90.9	66.5	17.7	86.7	1.6	124.0	1.6
M135XWH2	135"	16:9	126.0	118.1	121.3	124.4	90.9	66.5	17.7	86.7	1.6	124.0	1.6
Unit: mm													
M135UWH2	135"	16:9	3200	3000	3080	3160	2308	1690	450	2201	40	3150	40
M135XWH2	135"	16:9	3200	3000	3080	3160	2308	1690	450	2201	40	3150	40

5.2.4 Drawings - R-TYPE 135"



PRODUCT WHITE PAPER

<http://www.elitescreens.com>



5.3 Pictures

Manual Series Front View



PRODUCT WHITE PAPER

<http://www.elitescreens.com>



Front View in 2.35:1 Aspect Ratio



Black Case Detail



White Case Detail



Section 6: About Elite Screens

6.1 Company Description

Elite Screens Inc. is a California based company that specializes in making quality commercial and home-theater projection screens for the retail and custom install sales channels. Our company began as an innovative venture into the projection market by manufacturing veterans from the AV/IT industry. Elite Screens quickly established itself as an entry level commercial and home theater screen manufacturer. This was accomplished by making a quality product cost effective with a focus on mass-producing screen material, sizes and aspect ratios that were most commonly preferred by AV customers in general. We focused on uniformity with what would match the mainstream demographic while including extra features that are not usually included by other manufacturers. In time, we progressed from just retail sales into the realm of custom installer/integrator manufacture as our numerous reviews and awards will attest. We stand behind our product and are so certain of customer satisfaction with the quality of our product that we offer a 2-year manufacturer's warranty which is twice the industry standard.

In our continued devotion to excellence in products and service, we are committed to implementing green practices with our production. We have adopted manufacturing methods that promote conservative regulation of our energy needs. Our simple product designs combined with the expertise of our permanent staff ensures that our entire line of products are made by experienced hands devoted to the high standards of today's audio-video consumer.

###