

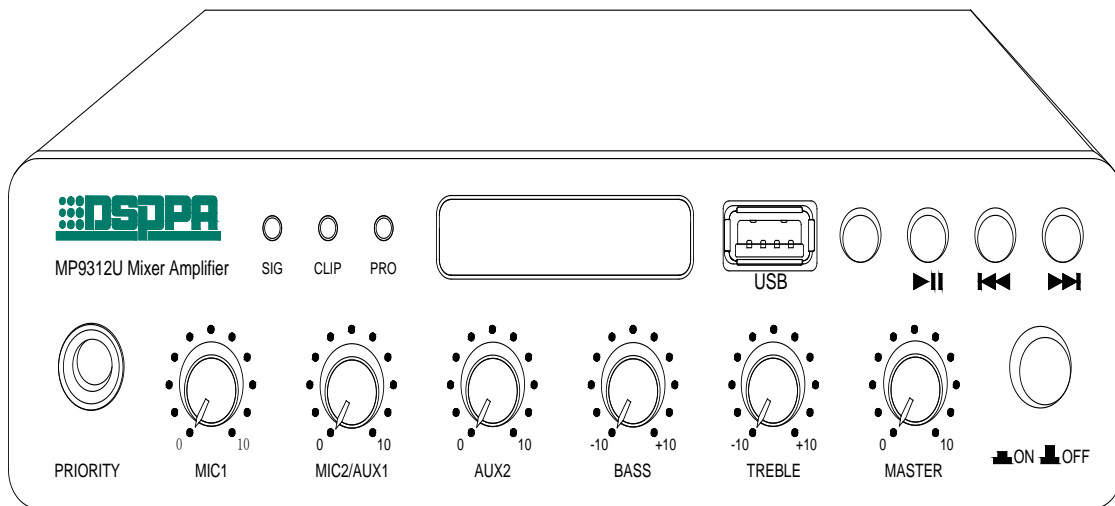


Public Address System

Digital Mixer Amplifier

MP9306D

MP9312D



User's Manual

Welcome to use DSPPA public address system. For the better use of this product, please read this instruction carefully prior to use.

About this User Manual

This User Manual is available and effective upon completion of development of the mixer amplifier MP9306D/MP9312D. The User Manual includes system description, matters needing attentions in use, instructions on system connection, instructions on use of product and technical specifications of the network address center. Please read this User Manual carefully before connection, installation and use and operate in accordance with corresponding instructions in the Manual.

This symbol on the rear panel indicates matters needing attentions, please use or operate the product in accordance with corresponding instructions.

Please keep this User Manual in good custody for future use.

MP9306D/MP9312D—V0.1

Facture 2017-03-08

Content

1. PRODUCT DESCRIPTION	1
1.1 Features	1
2. APPEARANCE DESCRIPTION	1
2.1 Front panel.....	1
2.2 Rear panel.....	3
2.3 Side Panel	4
3. WORKING MODE	4
4. REMOTE CONTROL INSTRUCTIONS.....	5
1. SAFETY PRECAUTIONS	6
2. Matters needing attention	6
PACKING LIST	7
PERFORMANCE	7

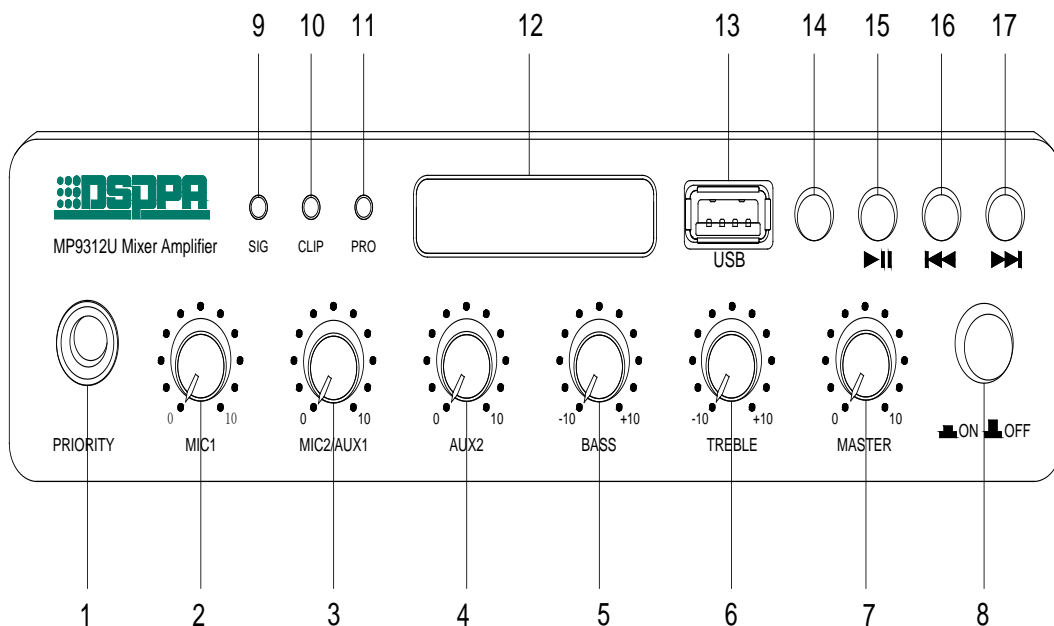
1. Product Description

1.1 Features

- With 3 working modes:Bluetooth ,USB and Line.
- Wireless Bluetooth playing.
- With Signal level indicator (SIG), Clip Indicator (CLIP), and Protection indicator(PRO).
- 100 VRS prior line input ,EMC input.
- 2 MIC inputs, with phantom input and priority input, 2 lines input.
- With 1 line 100V inputs and 1 line auxiliary inputs.
- With short-circuit, overload and high temp protection,temperature-controlled fan.
- Switch to DC 24V power supply mode automatically if AC power failed (optional).
- Individual volume control for Mic 1-2, line 1-2, bass/treble and master volume control.
- Remote control.

2. Appearance Description

2.1 Front panel



1. Mic 1 priority input**2. MIC1 volume adjustment**

Adjust the volume of MIC1, turn clockwise to turn up, turn counter clockwise to turn down.

3. MIC2/AUX1 volume adjustment

Adjust the volume of MIC2/AUX1, turn clockwise to turn up, turn counter clockwise to turn down.

4. AUX2 volume adjustment

Adjust the volume of AUX2, turn clockwise to turn up, turn counter clockwise to turn down.

5. Bass volume adjustment

The central position as the benchmark, turn counter clockwise to turn down the bass, turn clockwise to turn up the bass

6. Treble volume adjustment

The central position as the benchmark, turn counter clockwise to turn down the treble, turn clockwise to turn up the treble

7. Master volume adjustment

Adjust the level of all signals (except EMC), turn clockwise to turn up the volume, turn counter clockwise to turn down the volume.

8. Power switch

Press “ON” to turn on the power, press “OFF” to close the power

9. Signal level indicator (SIG)**10. Clip Indicator (CLIP)****11. Protection indicator (PRO)****12. Display screen****13. USB interface**

Insert the U disk to provide program to the built-in MP3

14. Mode switcher

Bluetooth mode (BLUE), U-disk MP3 mode, line input mode (LINE) mode can be switched

15. Play/Pause

In U disk and Bluetooth mode, pause play

In Line mode, this key is to mute

16. Last song

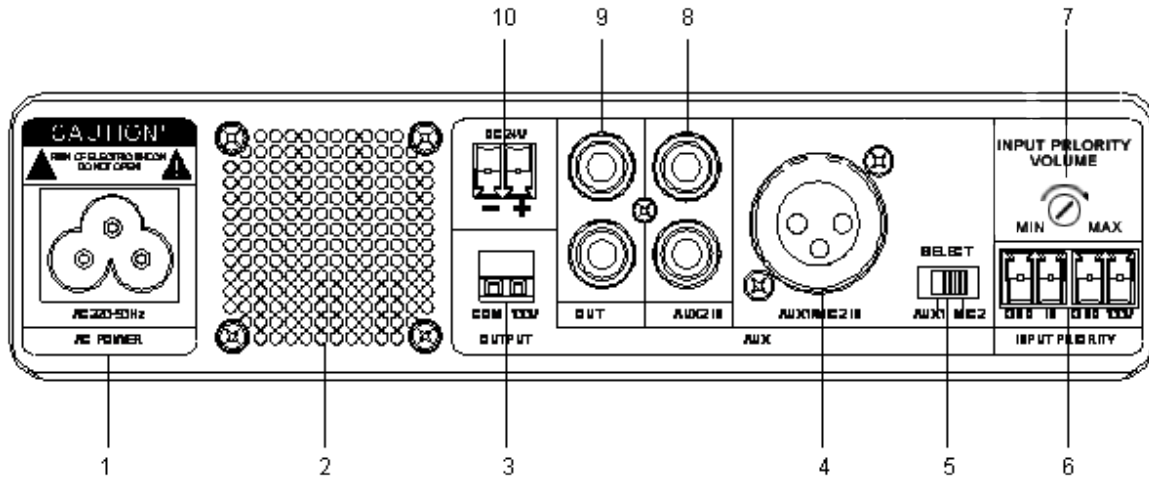
In U-disk and Bluetooth mode, press this key to switch to the “last song”, long press this key to turn down the volume

17. Next song

In U-disk and Bluetooth mode, press this key to switch to the “next song”, long press this key to turn up the

volume

2.2 Rear panel



1. AC220V Power input socket

The interface is to supply the working power. Insert the plug onto the machine, then connect the power grid.

2. Cooling fan window

3. Speaker output interface

4. LINE1 /MIC2 IN balanced input interface

Can connect with microphone or other external audio

5. LINE1/PP/MIC2 switcher

LINE1/PP/MIC2 audio selection switcher, can left and right slide to choose AUX1 or MIC2 or phantom power for MIC2 (PP switch)

6. Priority & 100V input interface

This interface has the highest output signal

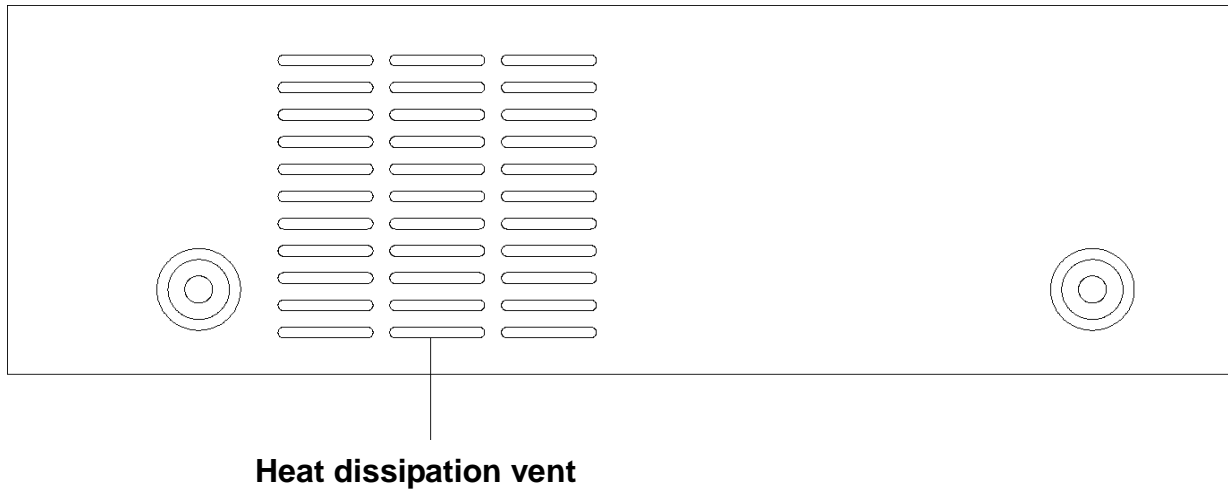
7. Priority input volume adjustment

8. AUX2 input interface

9. Line Out

10. DC24V input interface

2.3 Side Panel



3. Working mode

With 3 mode:USB mode, Bluetooth mode, Line mode

3.1 Bluetooth mode

Press MODE to display “BLUE” on the digital screen, the “BLUE” will always flash until device and mobile phone pairing success, the name is “Bluetooth”. After finishing the pairing, the user can play music on the mobile phone. With excellent wireless transmission function,.

3.2 USB mode

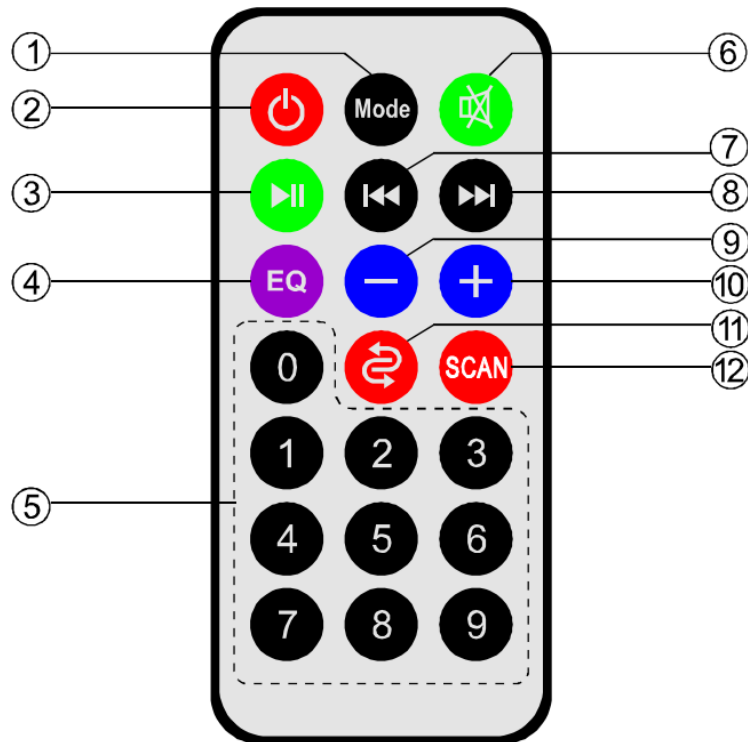
When the USB access, it will be USB mode automatically (plug and play)

3.3 Line mode

In line mode, press MODE, digital screen will display “LINE”

4. Remote Control Instructions

As shown in the following figure:



Function key description:

- ① Mode main function key, working mode switch.
- ② Power switch
- ③ Play & Pause/
- ④ EQ sound effect
- ⑤ 0-9 song selection key, can be composed of digital channel selection
- ⑥ Mute key
- ⑦ Last song/
- ⑧ Next song/
- ⑨ Vol -
- ⑩ Vol +
- ⑪ Single repeat

- ⑫ Record key

Safety Precautions

1. Safety Precautions

- Please do NOT connect this device to the power source, before the system is correctly wired.
- It is important to ensure that input voltage to the device is the same as required voltage of the device; otherwise the device may be damaged.
- There is dangerous voltage in the device, which may cause personal electric shock. Please do NOT open the case without permission, to avoid potential risks of electric shock.
- The device is not completely disconnected from power source when it is switched "OFF". For sake of safety, please disconnect the device from the socket if it is not in use.
- Please do NOT place the device where it is extremely cold or hot.
- Good ventilation must be provided in the working environment of the device, to avoid excessive temperature during its operation, which may cause damages to the device.
- Please unplug the device from power socket in raining and wet days or if the device is not in use for a long time.
- Please disconnect the power plug from sockets, to ensure the device has been completely disconnected from power source, before any component is removed from or re-installed in the device or before any electric connector of the device is disconnected or reconnected.
- In case of any failure of the device, please do NOT open the case and repair without permission from a professional personnel, to avoid accident or additional damages to the device.
- Please do NOT place any corrosive chemicals near or on the device.

2. Matters needing attention

- Our company provides a three-year free warranty service (including free replacement parts) over quality issues as from the date of purchase, provided that the device is installed and used in accordance with requirements specified in the User Manual.
- For warranty, the user must show the Warranty Card and the receipt kept by the user and purchase invoice of the device as supporting documents.
- The following conditions are beyond the scope of warranty:
 - (1) Product damage due to improper installation, use or handling;
 - (2) Product damage due to abnormal conditions (such as excessive power source voltage or ambient humidity);
 - (3) Product damage due to acts of God;
 - (4) Product SN is changed, altered or removed;
 - (5) Product has been repaired or modified by any person without duly authorization from our company;
- Please keep the User Manual and Warranty Card in good custody.
- For issues and precautions not mentioned in this User Manual, if required, please contact the distributor or visit our website at <http://www.dsppatech.com>.

- In case of any failure in the warranty period, please contact service personnel (or distributor) of our company for service. The company shall not be made liable for damages due to unauthorized dis-assembly or maintenance or service by unauthorized personnel.

Packing list

No.	List	Quantity
1	MP9306D or MP9312D	1
2	Manual	1
3	Guarantee card	1
4	Certificate	1
5	Power line	1
6	Remote control	1

Performance

Model	MP9306U	MP9312U	MP9306D	MP9312D
Rated Power	60W	120W	60W	120W
Speaker Output	100V			
Sensibility	MIC	0.06 (±0.015) VRMS		
	Line	0.3 (±20mV)VRMS		
	100V-IN	100 VRMS		
SNR	MIC	≥74db(Maximum)		
	AUX、EMC	≥80dB (Maximum)		
Frequency Response	80Hz-15kHz (±3dB)			
Distortion	≤0.5 %			
Power Supply	AC220V, 50-60Hz		AC220V, 50-60Hz, DC24V	
Tone	Bass	±10dB (100Hz)		
	Treble	±10dB (100Hz)		
Power Consumption	80W	150W	80W	150W
Size (W×H×L)	200×190×44mm			
Net Weight	1.5kg			
Gross Weight	2kg			

Technical specifications are subject to change without prior notice.

Caution

- The device is not completely disconnected from power source when it is switched "OFF". For sake of safety, please disconnect the device from the socket if it is not in use.
- Please keep this device off water drops or splash or vase filled with water or any other articles of similar nature.
- Please do NOT remove the cover of the equipment; otherwise you may get an electric shock. Where necessary, repair to the equipment should be conducted by qualified professionals.
- All terminals on the device marked with ⚡ are live and dangerous, and should be connected by trained personnel.
- This is connected to power source via the plug and any failure or danger occurs, the user can disconnect the device from power source by pulling out the plug out from the socket, therefore, it is required that the power socket should be located somewhere with easy access.

Guangzhou DSPPA Audio Co., Ltd.