



The heavy **PROJECTOR LIFT SERIES SI-H 300** is a very strong and reliable new range of lifts specifically developed for large venue applications where large projectors need to be moved.

These lifts are equipped with heavy-duty but silent motor which assures a fast and stable up-down movement of the projector.

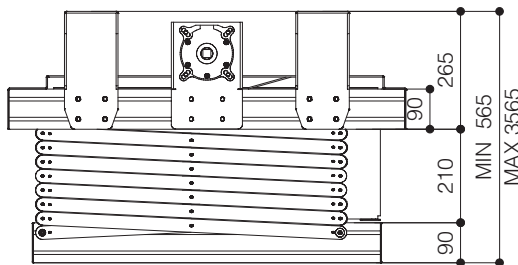
Also a **SAFETY DEVICE** is built-in in order to offer maximum security in case of any failure of the mechanism.

The projector anchoring frame movement is controlled by two strong steel cables that are certified for a maximum load of 350 kg. each.

A unique and professional cable management system is supplied integrated in the product. This allows to connect safely and tidily the projector with the power and signal cables.

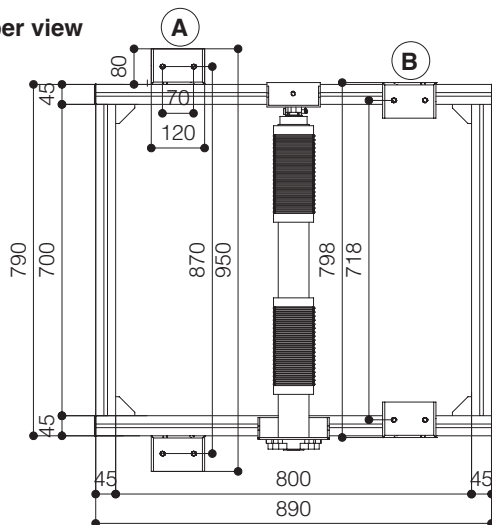
*Optional: RF remote control (details p. 62)*

Side view closed

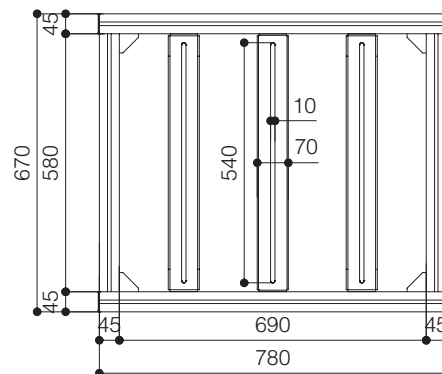


- A** You can see the brackets mounted turned OUTSIDE.
- B** You can see the brackets mounted turned INSIDE.

Upper view



Projector anchoring points



### TECHNICAL SPECIFICATIONS

POWER SUPPLY	220-230V - 50HZ
MAXIMUM CONSUMPTION	265 W
TORQUE	60 Nm
MOTOR SPEED	11 rpm
DIMENSIONS CLOSED	798x565x890 (WxHxD in mm)
DIMENSIONS OPENED	798x3565x890 (WxHxD in mm)
ROLL UP SPEED	19 sec/m
ROLL DOWN SPEED	24 sec/m
MAXIMUM LOAD OF THE PROJECTOR	70 Kg
NET WEIGHT	70 Kg
CABLE GATHERING SYSTEM (internal dimensions)	50x18 (WxH in mm)

**Warranty:** 5 years on the motor - 24 months on the other components

**ENGINEERED LIKE NO OTHER SCREEN IN THE WORLD**