

18Gbps HDMI 2 by 1 KVM Switcher



User Manual

VER 1.0

Thank you for purchasing this product

For optimum performance and safety, please read these instructions carefully before connecting, operating or adjusting this product. Please keep this manual for future reference.

Surge protection device recommended

This product contains sensitive electrical components that may be damaged by electrical spikes, surges, electric shock, lightning strikes, etc. Use of surge protection systems is highly recommended in order to protect and extend the life of your equipment.

Table of Contents

1. Introduction.....	1
2. Features.....	1
3. Package Contents.....	1
4. Specifications.....	2
5. Operation Controls and Functions.....	3
5.1. Front Panel.....	3
5.2. Rear Panel.....	4
6. Application Example.....	5

1. Introduction

This video switcher can switch 2 HDMI input device signals (such as PC, laptop, Mac) to 1 HDMI display device (such as TV, projector, LED display), and realize 2 signal source devices to share 1 display device. It supports video resolution up to 4K2K@60Hz 4:4:4. The product is designed with 2 USB2.0 input ports and 4 USB (2xUSB2.0, 2xUSB1.1) output ports, so that you can not only operate 2 source devices with keyboard and mouse, but also can share U disk and printer, which is widely used in various offices.

2. Features

- ☆ HDMI 2.0, HDCP 2.2 / 1.x and DVI 1.0 compliant
- ☆ Video resolution up to 4K2K@60Hz 4:4:4
- ☆ Support 18Gbps video bandwidth
- ☆ Support HDR, HDR10, HDR10+, Dolby Vision HLG pass-through
- ☆ Support HDMI audio pass-through up to 7.1CH HD audio (LPCM, Dolby TrueHD, and DTS-HD Master Audio)
- ☆ Support 2 *(HDMI +USB2.0) inputs and 1*HDMI+ 4*USB (2* USB2.0+ 2*USB1.1) outputs
- ☆ Support input auto switching
- ☆ Adaptive EDID, able to adapt to a variety of complex application environment
- ☆ Both HDMI and USB input and output support hot swap
- ☆ Control via front panel button/hot-key/mouse
- ☆ Simple to install, plug and play

3. Package Contents

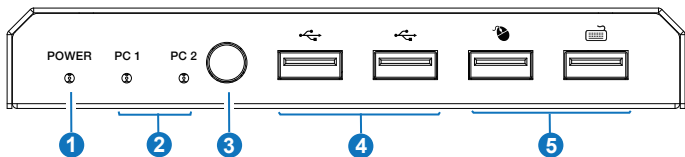
- ① 1 × 18Gbps HDMI 2 by 1 KVM Switcher
- ② 1 × 5V/2A Power Adapter
- ③ 2 × USB Cable (1.5 meters)
- ④ 1 × User Manual

4. Specifications

Technical	
HDMI Compliance	HDMI 2.0
HDCP Compliance	HDCP 2.2 / 1.x
Video Bandwidth	18Gbps
Video Resolution	4Kx2K@24/30Hz, 4K2K@60Hz
Color Space	RGB 4:4:4, YCbCr 4:4:4 / 4:2:2 / 4:2:0
Color Depth	8-bit, 10-bit, 12-bit (1080p@60Hz) 8-bit (4K2K@60Hz YUV4:4:4) 8-bit, 10-bit, 12-bit (4K2K@60Hz YCbCr 4:2:2 / 4:2:0)
HDMI Audio Formats	PCM 7.1CH, Dolby TrueHD and DTS-HD Master Audio
HDR	HDR, HDR 10, HDR 10+ and Dolby vision
USB Version	USB2.0 (Data transfer rate up to 480MB/S)
ESD Protection	Human-body Model: ±8kV (Air-gap discharge), ±4kV (Contact discharge)
Connection	
Input	2 x HDMI [Type A, 19-pin female] 2 x USB [Type B]
Output	1 x HDMI [Type A, 19-pin female] 4 x USB [Type A]
Mechanical	
Housing	Metal Enclosure
Color	Black
Dimensions	142mm(W) × 82mm(D) × 21mm(H)
Weight	300g
Power Supply	Input: DC 5V/2A. Support DC5-12V wide voltage power supply; Output with overcurrent protection function
Power Consumption	1.5W (Max)
Operating Temperature	0°C ~ 40°C / 32°F ~ 104°F
Storage Temperature	-20°C ~ 60°C / -4°F ~ 140°F
Relative Humidity	20~90% RH (non-condensing)

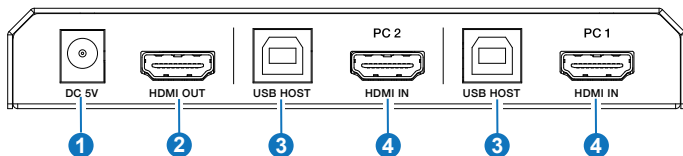
5. Operation Controls and Functions

5.1 Front Panel



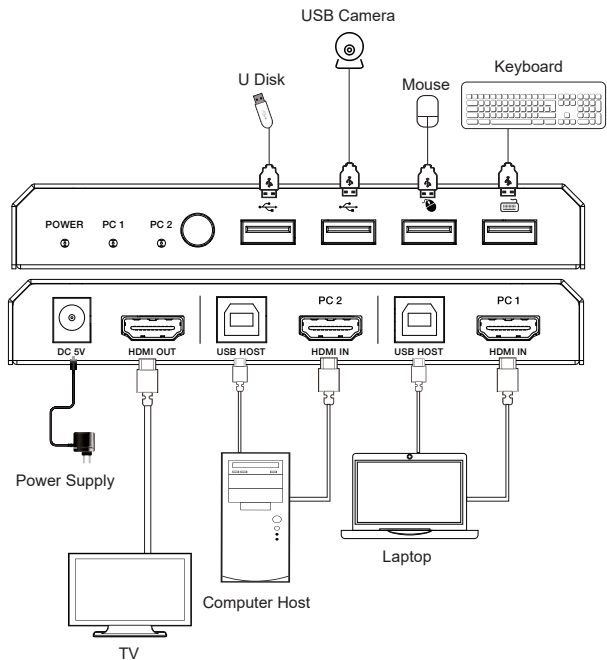
No.	Name	Function Description
1	POWER LED	When the product is powered on, red LED will be on.
2	PC 1/2 LED	Input status indicators. When input source is selected, the corresponding PC 1/2 LED will be on.
3	Signal source selection button	Press the button to select the input signal source, and the corresponding PC 1/2 LED will be on. Note: 1. HDMI and USB ports are binding, so only one input source can be selected. 2. The default setting is auto switch, for example, when you unplug the current selected PC1, it will switch to PC2 automatically.
4	USB2.0 ports	Connect to U disk or other standard USB2.0 devices.
5	USB1.1 ports	Connect to mouse or keyboard for KVM control. ▪ Mouse operation : 1. Slide the mouse beyond the upper and left interface of the screen to select the previous input port. 2. Slide the mouse beyond the bottom and right interface of the screen to select the next input port. Note: The mouse operation function is turned off by default. Pressing “*+s” on the keyboard can turn on edge detection (mouse sliding switch function); Pressing “*+1/2/3/4” can turn off edge detection. ▪ The keyboard hotkeys are as follows: 1. Scroll Lock+ Scroll Lock + 1/2/3/4: switch ports. Ctrl + Ctrl + 1/2/3/4: switch ports. Two switching hotkey methods can coexist. 2. Scroll Lock + Scroll Lock + i + 5~999 seconds + enter: Scanning time setting. 3. Scroll Lock + Scroll Lock + s: start auto scanning; Pressing any key on the keyboard will cancel the auto scanning function.

5.2 Rear Panel



No.	Name	Function Description
1	DC 5V	DC 5-12V power input port.
2	HDMI OUT	HDMI signal output port. Connect to HDMI display device with HDMI cable.
3	USB HOST	USB signal input port. Connect to PC with USB cable.
4	HDMI IN	HDMI signal input port. Connect to HDMI source device with HDMI cable.

6. Application Example



HDMI™
HIGH DEFINITION MULTIMEDIA INTERFACE

The terms HDMI and HDMI High-Definition Multimedia interface, and the HDMI Logo are trademarks or registered trademarks of HDMI Licensing LLC in the United States and other countries.