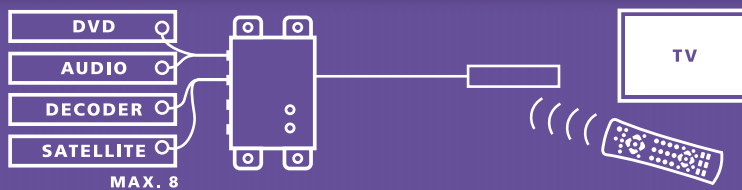


## IR Control Pro8™



**EASY INSTALL** **4X IR EXTENDER UP TO MAX. 8.3** **2 YEAR WARRANTY** **HOME NETWORKS**

### EN Control all your A/V equipment that is out of sight

- Operate your audio/video devices through a closed multimedia cabinet with your current remote control.
- Ideal for different A/V applications at home, in presentation, board rooms and in training environments.
- Works with almost all A/V equipment (DVD/SAT/BEAMER/AUDIO etc.) and remote controls.
- Connect 4 (max. 8) A/V appliances and operate them through cabinet doors or even when they are out of sight.
- Make infrared extension invisible by placing the IR Module in, under or behind the multimedia cabinet.

### ES Controle todos sus aparatos A/V aunque estén fuera del alcance de la vista

- Maneje sus aparatos A/V que se encuentran detrás de puertas de armarios cerradas con su propio mando a distancia.
- Perfecto para distintos usos en casa, centros de presentación/dirección o metodologías de educación.
- Funciona con casi todos los aparatos A/V (DVD/SAT/BEAMER/AUDIO etc.) y telemandos.
- Conecte 4 (8 como máximo) aparatos que se encuentran detrás de puertas de armarios o fuera del alcance de la vista.
- Haga los cables de extensión IR invisible, colocando el módulo IR dentro o detrás de un armario.

### DE Bedienen Sie alle Ihre sich außer Sichtweite befindenden A/V Geräte

- Bedienen Sie Ihre hinter verschlossenen Schranktüren verborgenen A/V Geräte mit Ihrer heutigen Fernbedienung.
- Ideal für verschiedene Anwendungen zuhause, in Präsentations- und/oder Direktionsräumen und in Bildungsumgebungen.
- Kann mit nahezu allen A/V Geräten (DVD/SAT/BEAMER/AUDIO usw.) und Fernbedienungen betrieben werden.
- Schließen Sie 4 (max. 8) hinter verschlossenen Schranktüren verborgene oder außer Sichtweite stehende A/V Geräte an.
- Machen Sie die Infrarotverlängerung unsichtbar, indem Sie das IR Modul unter oder hinter Ihrem Schrank anbringen.

### IT Comandi tutti i suoi apparecchi audio/video fuori vista

- Consente di controllare con il suo attuale telecomando anche apparecchi audio/video sistemati in armadi chiusi.
- Ideale per diverse applicazioni a casa, in aree di presentazione/dirigenziali ed in ambienti di formazione.
- Funziona praticamente con tutti gli apparecchi audio/video (DVD/SAT/BEAMER/AUDIO ecc.) e telecomandos.
- Consente di collegare 4 (max. 8) apparecchi audio/video sistemati in armadi chiusi o in altri posti fuori vista.
- Renda invisibile il comando ad infrarossi collocando il Modulo a IR sotto, dietro o nel mobile.

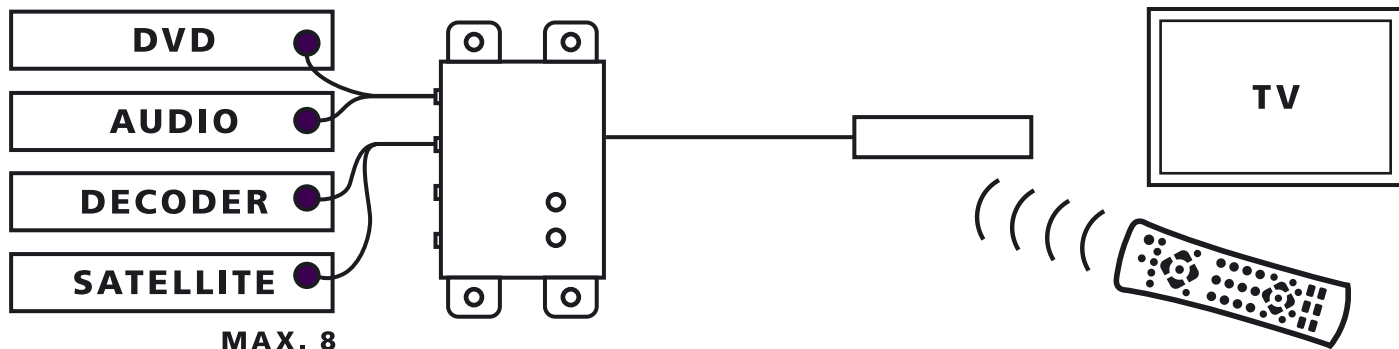
### FR Sert tout vos appareils A/V qui ne sont pas visible

- Actionnez vos appareils A/V à travers des portes d'armoire fermées grâce à votre commande à distance.
- Idéal pour différentes utilisations, par exemple, chez vous, dans des salles de présentation, des bureaux ou des centres de formation.
- Fonctionne pratiquement avec tout les appareils A/V (DVD/SATELLITE/BEAMER/AUDIO etc.) et télécommandes.
- Raccordez 4 appareils (max. 8) et commandez-les à travers des portes d'armoire, sans qu'ils soient visibles.
- Si vous placez le module IR dans votre armoire, en dessous ou derrière celle-ci, la commande infra rouge sera invisible.

### NL Bedien al uw A/V apparaten die uit het zicht staan

- Bedien de A/V apparaten die achter gesloten kastdeurtjes staan met uw huidige afstandsbediening.
- Ideaal voor verschillende toepassingen in huis, presentatie-/directieruimtes en in opleidingsomgeving.
- Werkt met vrijwel alle A/V apparaten (DVD/SAT/BEAMER/AUDIO enz.) en afstandsbedieningen.
- Sluit 4 (max. 8) A/V apparaten aan die achter kastdeurtjes of uit het zicht staan.
- Maak infraroodverlenging onzichtbaar door de IR module in, onder of achter uw kast te plaatsen.

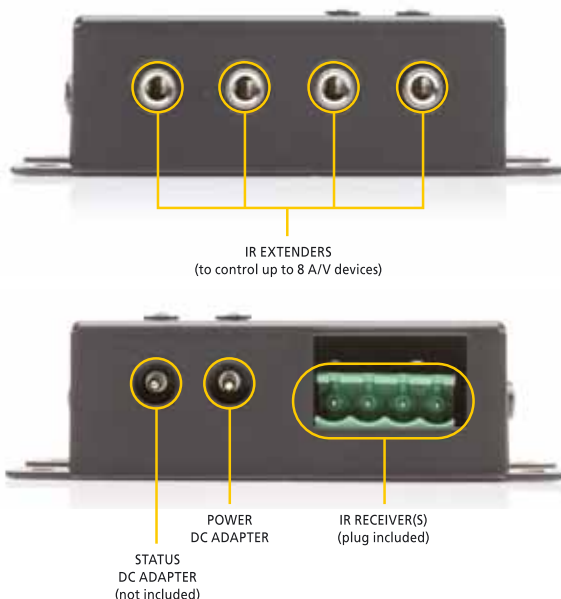
# IR Control Pro8™



## Technical data

<b>IR Module</b>	
Power Supply POWER	230VAC/50Hz, 12VDC 500mA (included).
Power Supply STATUS	230VAC/50Hz, 12VDC 200mA. Plug, - (not included).
IR LEDs connections	4 x 3.5 mm jack plug (mono).
IR Receiver connection	1 Screw connector for maximal 3 parallel connected receivers.
Dimensions (LxWxH)	85x49x24xmm (fastening points included).
<b>IR receiver Surface Mount</b>	
Frequency range	30-100 kHz.
IR reception range	± 10 meters.
IR reception angle	90° (+45°/-45° from centre).
Length of cable	2 meters, extendable to max 300 meters (UTP or equivalent).
IR receiver	Reception indication LED
Dimensions receiver bloc (LxWxH)	51x10x8mm.
<b>IR receiver Panel Mount (optional)</b>	
Frequency range	30-100 KHz.
IR reception range	± 10 meters
IR reception angle	90°(+45°/-45° from centre)
Length of cable	2 meters, extendable to max 300 meters (UTP or equivalent).
IR receiver:	Reception indication LED
Dimensions receiver	Diameter 11.7 mm Drilling size 12 mm Length 50 mm
Built-in depth	55 mm - Maximal thickness of material 40 mm.
<b>Extension cable</b>	
Connection	3.5mm jack plug
IR LEDs	2x IR LED
Length of cable	3 meters (from plug to division 2m, from division to LED

## Connections IR Module



## Also available



**Extra IR receiver Surface Mount**  
to operate your AV equipment from an extra room.  
Art.nr.: 09734



**Extra IR receiver Panel Mount**  
to build the IR receiver into your ceiling, cabinet door etc. and operate your AV equipment from an extra room.  
Art.nr.: 09733



**Extra IR Extension cable**  
to operate 2 extra AV devices.  
Art.nr.: 09843

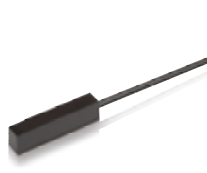


**Remote controls**  
To operate your TV and all A/V devices with only one remote control. Choose your ideal remote control at [www.marmitek.com](http://www.marmitek.com)

## Set includes



1x IR Module



1x IR Receiver



2x IR extender cable with 2 LEDs each



1x Energy saving switched mode power supply



1x User manual  
English, Deutsch, Français, Español, Italiano, Nederlands.

## Order information

IR Control Pro8™	EU version	Art.nr. 09728
	UK version	Art.nr. 09729
Gift box	Size (LxWxH)	256x211x114 mm