

# PFTE 7112 Display trolley motorized

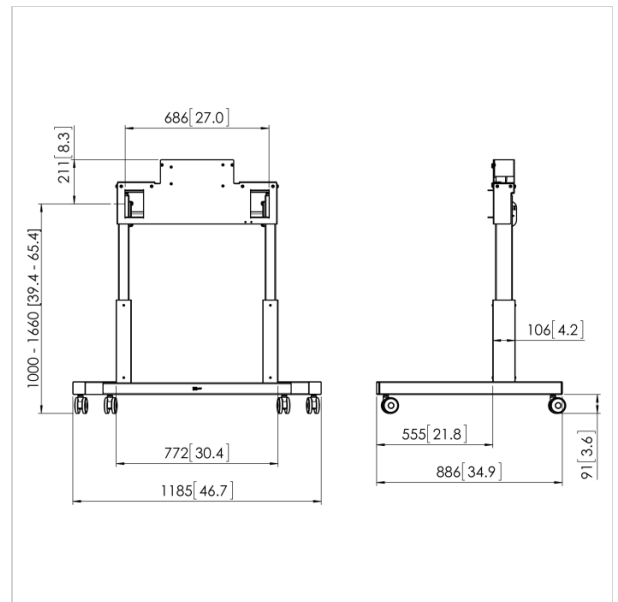
Article number (SKU) 7371124  
 Colour Black

## Key benefits

- Solid construction
- Easy to move
- Lockable storage space for PC/AV equipment
- TÜV certified
- Adjustable in height up to 50 cm

Interactive displays are very popular for education and business use. For different length of users the height needs to be adjusted. As interactive displays are heavy a motorized trolley or wall mount are the perfect ergonomic solution for this. PFB 3402 / PFB 3405 not possible.

The Vogel's motorized trolleys are available in two versions. A basic version with an optional PC holder and a version with a stylish cabinet for PC and cable storage.



# PFTE 7112 Display trolley motorized



VOGEL'S HOLDING BV 2017 (c) All rights reserved  
 Subject to printing errors, technical and price  
 amendments  
 Date: 19-10-2017

[www.vogels.com](http://www.vogels.com)

## Specifications

### Product specifications

Product type number	PFTE 7112
Article number (SKU)	7371124
Colour	Black
EAN single box	8712285323584
Guarantee	2 years
Min. screen size (inch)	42
Max. screen size (inch)	85
Max. weight load (kg)	160

### Features

Remote Controlled?	Yes
Professional features	Motorized Wheels
Cabinet	Without cabinet
Lock options	Lock option/accessory
Movable or wall mounted	Movable

