

PFTE 7111 Display trolley motorized with cabinet

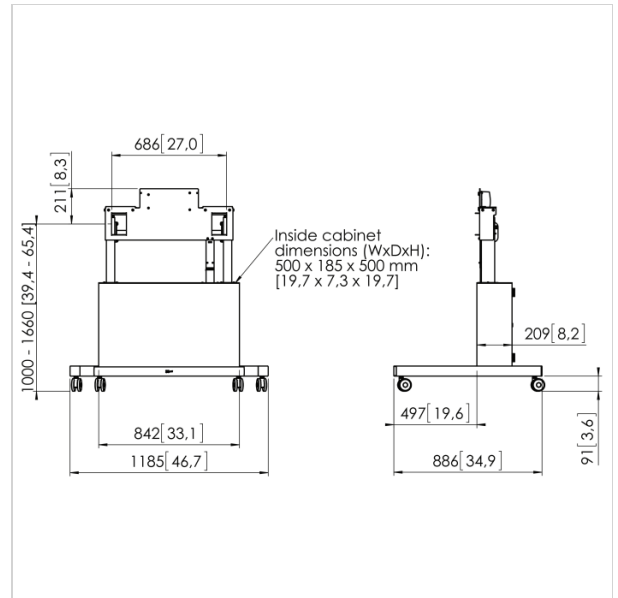
Article number (SKU) 7371114
 Colour Silver

Key benefits

- Solid construction
- Easy to move
- Lockable storage space for PC/AV equipment
- TÜV certified
- Adjustable in height up to 50 cm

Vogel's designed the PFTE 7111 motorized height adjustable trolley especially for large LCD/plasma displays and large touch screen displays. It is ideal for use in schools, businesses, office centers and for video conferencing. The operation of the PFTE 7111 is extremely quiet and smooth. The touch screen trolley can be used for displays up to 85 inches and 160 kg. PFB 3402 / PFB 3405 not possible.

Two internal motors give the PFTE 7111 display trolley a height adjustment range of 65 cm. The trolley includes a lockable cabinet for a PC, cable socket and excess cable. The wide wheelbase and large casters make it very stable and safe. Add the Connect-it display interface matching the display of choice. The display interface is not included as it varies for each display.



PFTE 7111 Display trolley motorized with cabinet



VOGEL'S HOLDING BV 2017 (c) All rights reserved
Subject to printing errors, technical and price
amendments
Date: 19-10-2017

www.vogels.com

Specifications

Product specifications

Product type number	PFTE 7111
Article number (SKU)	7371114
Colour	Silver
EAN single box	8712285323560
Guarantee	2 years
Min. screen size (inch)	42
Max. screen size (inch)	85
Max. weight load (kg)	160

Features

Remote Controlled?	Yes
Professional features	Motorized Wheels
Cabinet	With cabinet
Lock options	Lock option/accessory
Movable or wall mounted	Movable

