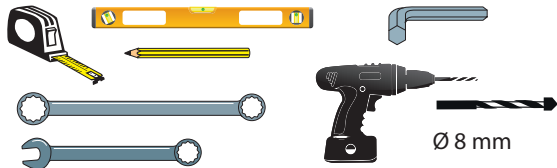



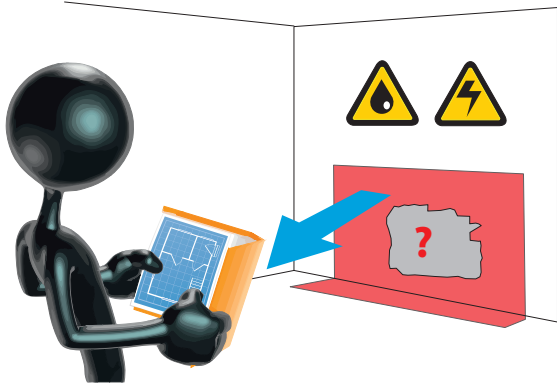
Alternatief stap 1a /1b manual Focus Touch P10 lift  
Alternative step 1a/1b manual Focus Touch P10 lift



Tools shown: tape measure, pencil, spirit level, L-shaped bracket, power drill with Ø 8 mm bit, and wrench.

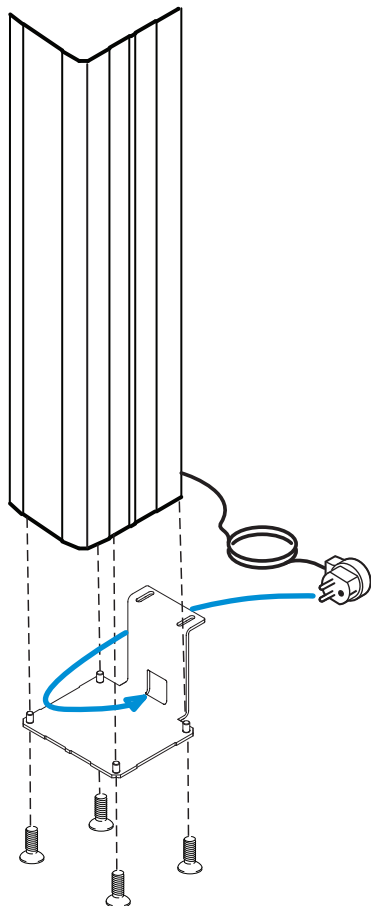


- Controleer de muur en vloer op bouwkundige conditie (ook leidingen!). Het gewicht van de opstelling rust op de vloer.
- Check the wall- and floor construction (also cables/pipes!). The weight of this product stands on the floor.
- Prüfen Sie die Mauer und der Boden für Konstruktion und Material (auch Leitungen). Das Produktgewicht steht auf den Boden.

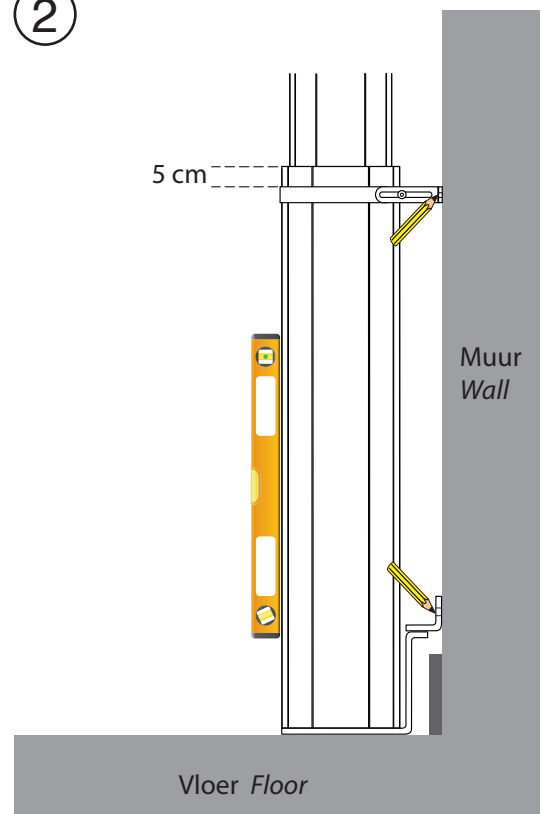


An illustration of a person holding a blueprint, pointing to a wall with a red area and a question mark, indicating a check for construction quality. Two warning icons (oil drop and lightning bolt) are also present on the wall.

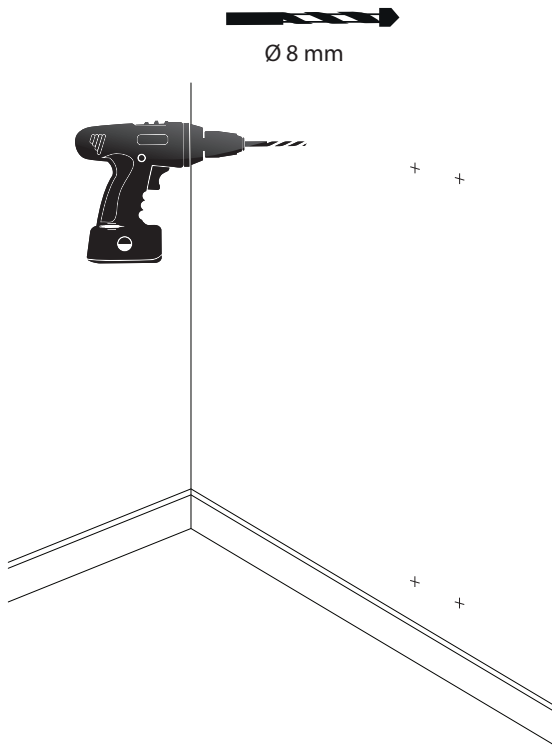
1



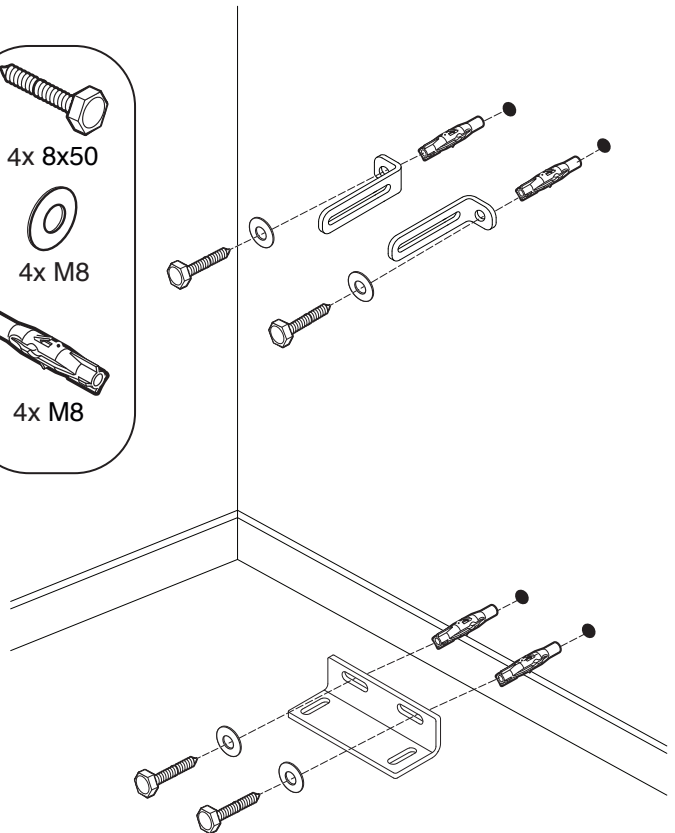
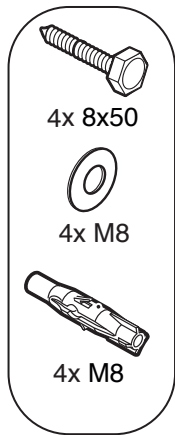
2



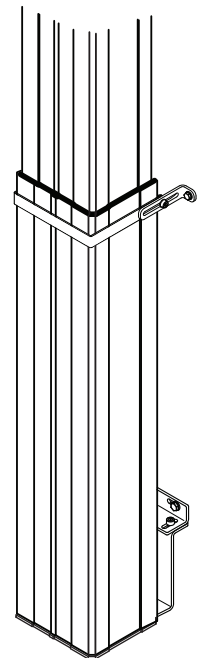
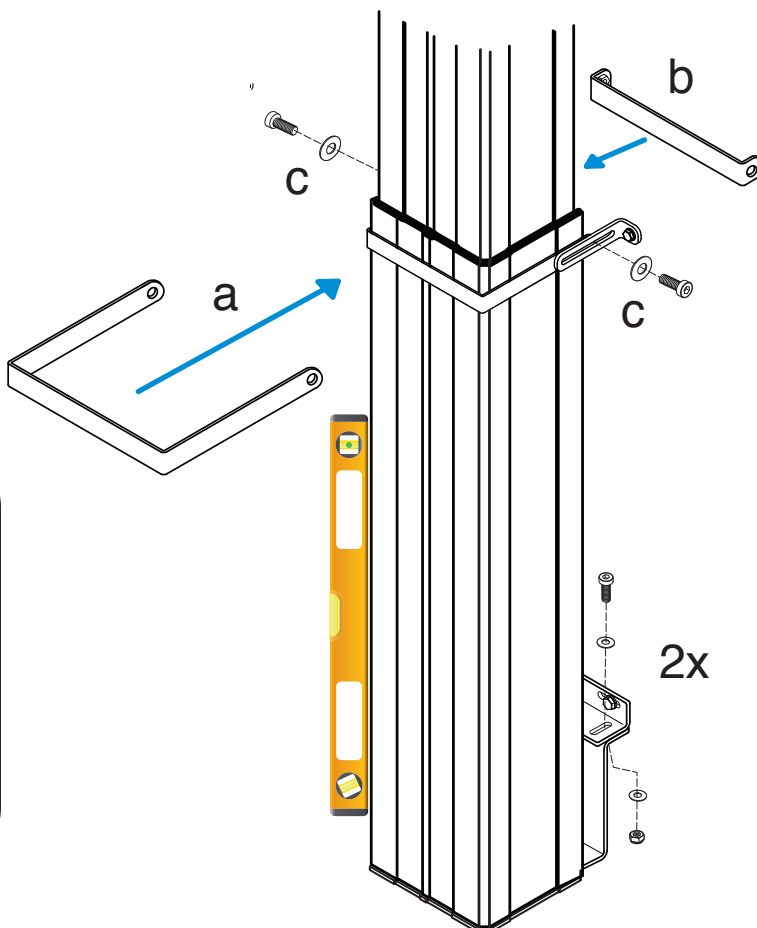
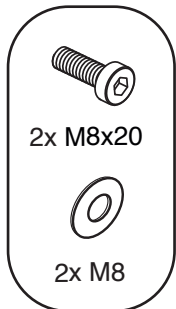
3



4



5



Vervolg stap 3 hand-  
leiding Focus Touch  
P10 lift

Continue step 3  
manual Focus Touch  
P10 lift