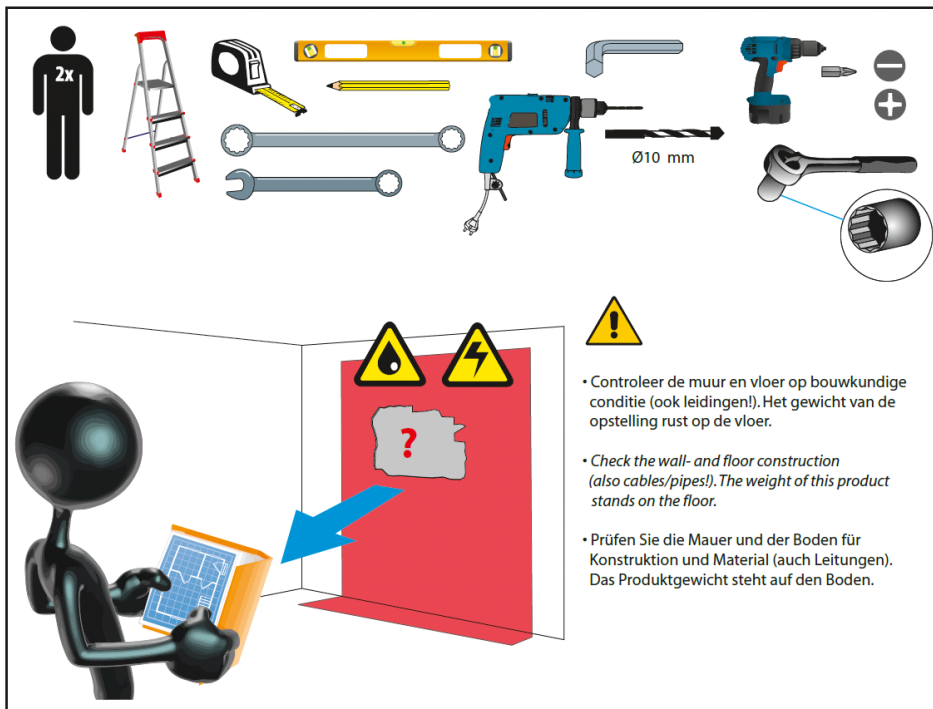
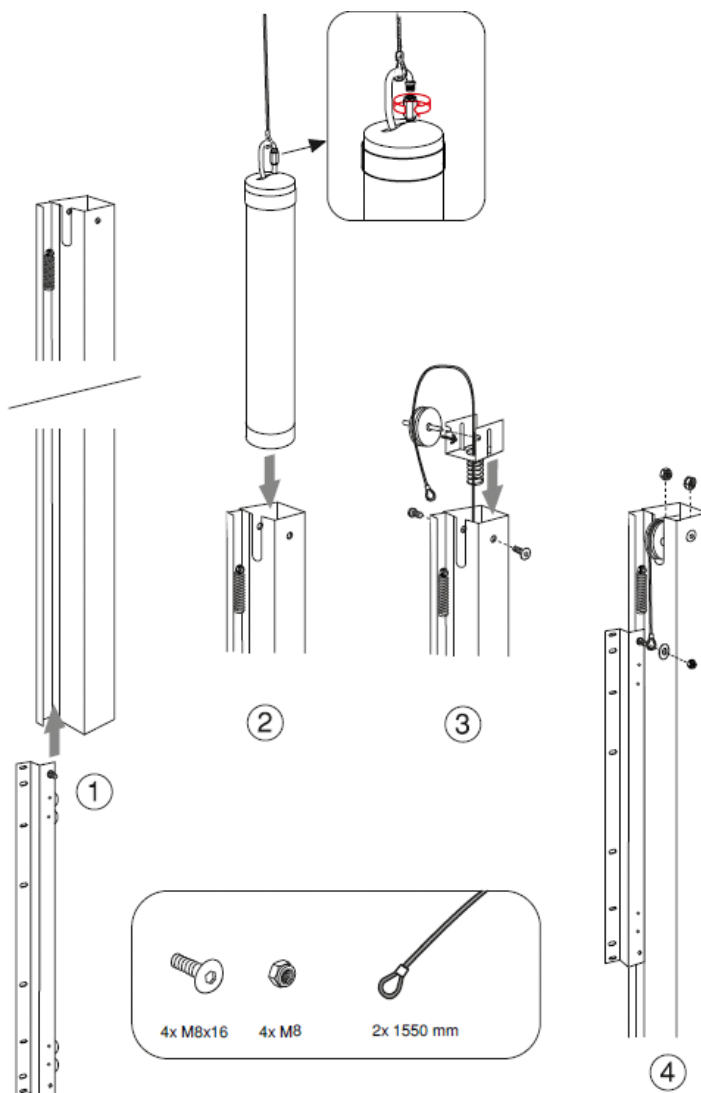


## Manual Projection Board SLA19 on columns



### 1) Place counterweights + cables in columns:



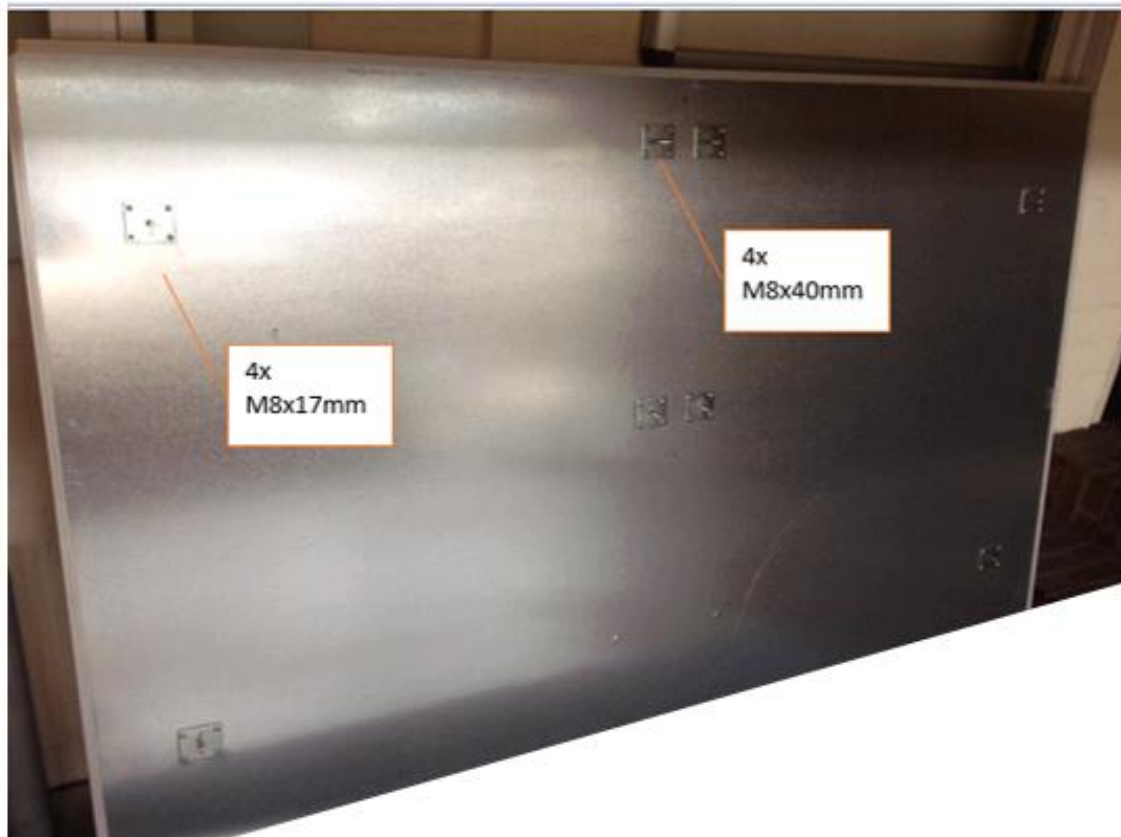


3) Place wired plates on back of board:

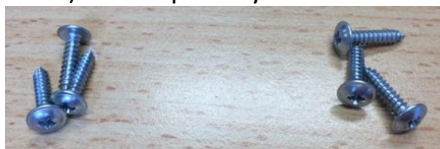


&

32pc 4,8x13



4) Place pentrays on back of board (2x):



6pc 4,2x19

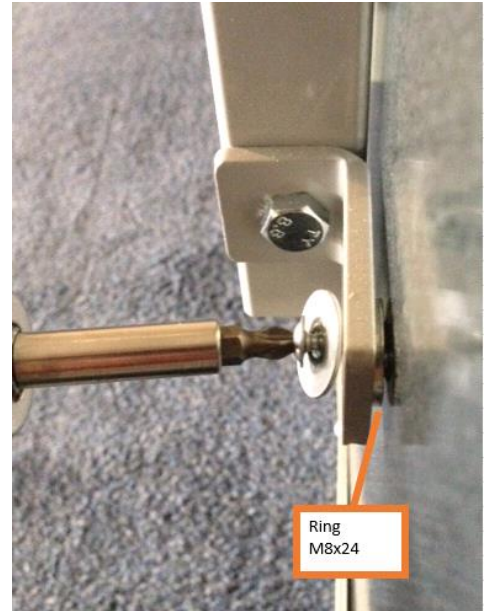
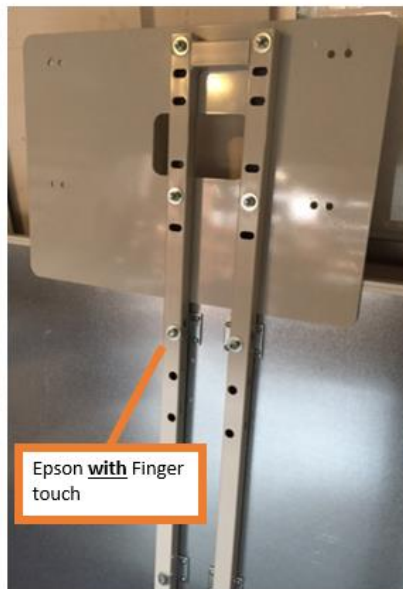




5) Place steel frame on back of board:



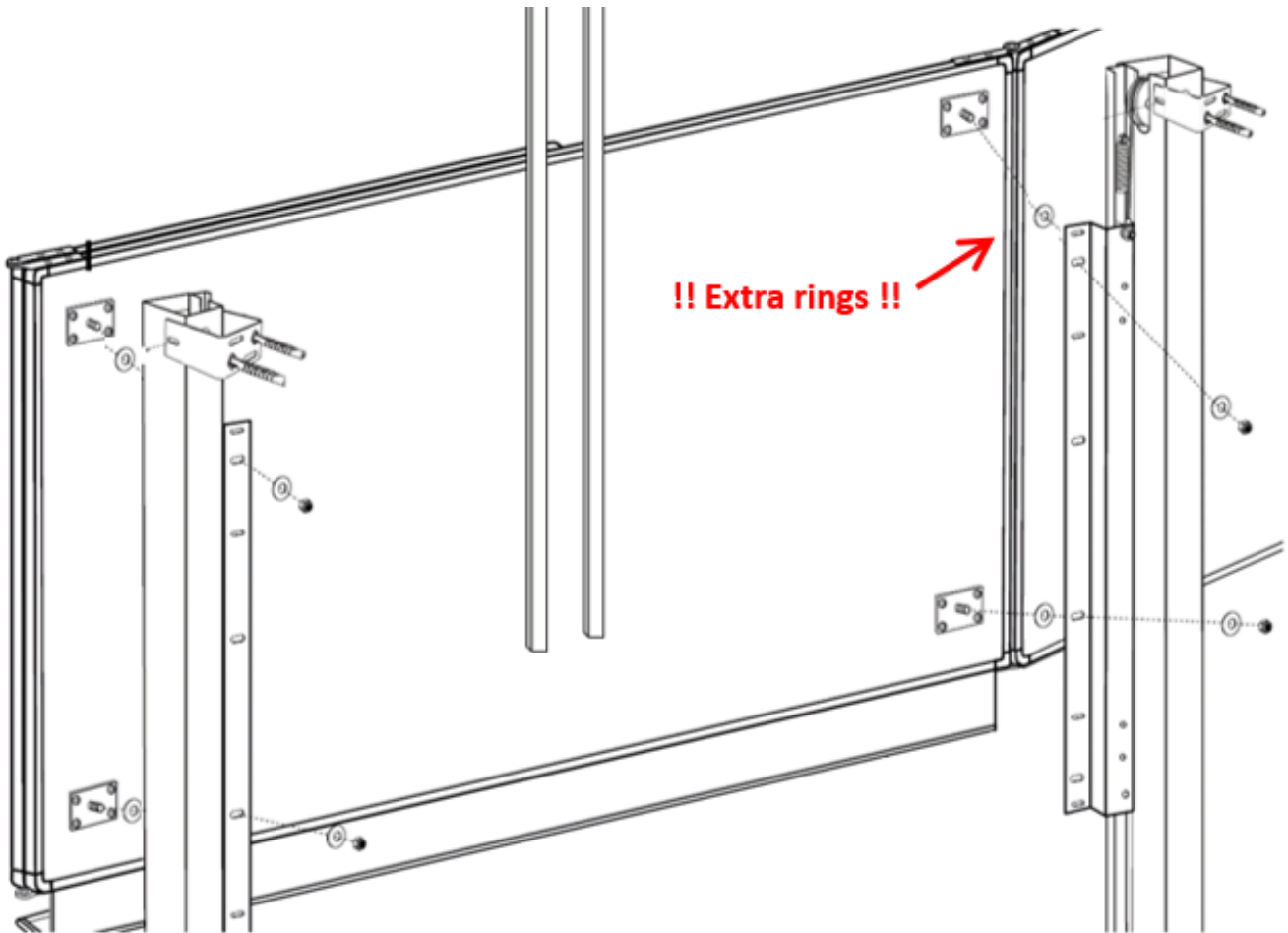
6pc ring M8x24, 4pc nut M8, 2pc ring M5x20, 2pc screw 4,2x19



6) Place board on columns:



8x ring M8x24, 4x nut M8



7) Mount Epson Wall plate to coverplate:



4x bolt M8x20, 4x ring M8x24, 4x nut M8