

# PFW 4410 Display wall mount tilt

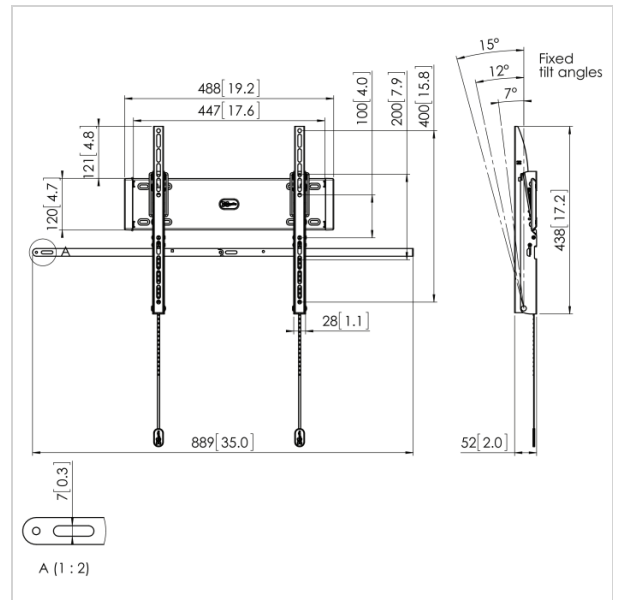
Article number (SKU) 7044100  
 Colour Black

## Key benefits

- Theft prevention
- TÜV certified
- Stylish design
- Easy to install

This locking tilting wall mount helps protect large flat panel displays in public areas against theft. The PFW 4000 series is designed for public areas that cannot be continuously supervised. For displays mounted high on the wall, tilting the display forward helps create a better viewing angle. The PFW 4410 wall mount, 52 mm deep, can tilt up to 15°, in 0°, 7°, 12° and 15° increments. The PFW 4410 is suitable for 42 to 55 inch displays weighing up to 30 kg.

The Vogel's Autolock® mechanism securely locks the display in place, and the slim design creates a clean, elegant look. The PFW 4410 wall mount features a unique wall plate that allows installers to very precisely compensate for drilling tolerances to ensure level mounting. Mounting hardware is included. A solid security bar and padlock provide theft prevention while still allowing easy access to the display for servicing. All Vogel's products are TÜV5 certified for maximum safety.





# PFW 4410 Display wall mount tilt

VOGEL'S HOLDING BV 2017 (c) All rights reserved  
 Subject to printing errors, technical and price  
 amendments  
 Date: 17-10-2017

www.vogels.com

## Specifications

### Product specifications

Product type number	PFW 4410
Article number (SKU)	7044100
Colour	Black
EAN single box	8712285331046
Tilt	Tilt up to 15°
Guarantee	5 years
Min. screen size (inch)	42
Max. screen size (inch)	55
Max. weight load (kg)	30
Min. hole pattern	100mm x 100mm
Max. hole pattern	400mm x 400mm
Max. bolt size	M8
Max. height of interface (mm)	438
Max. width of interface (mm)	889

### Features

Functionality	Tilt
Professional features	Lockable
Lock options	Lock included / integrated

### Technical specifications and dimensions

Min. distance to the wall (mm)	52
--------------------------------	----

