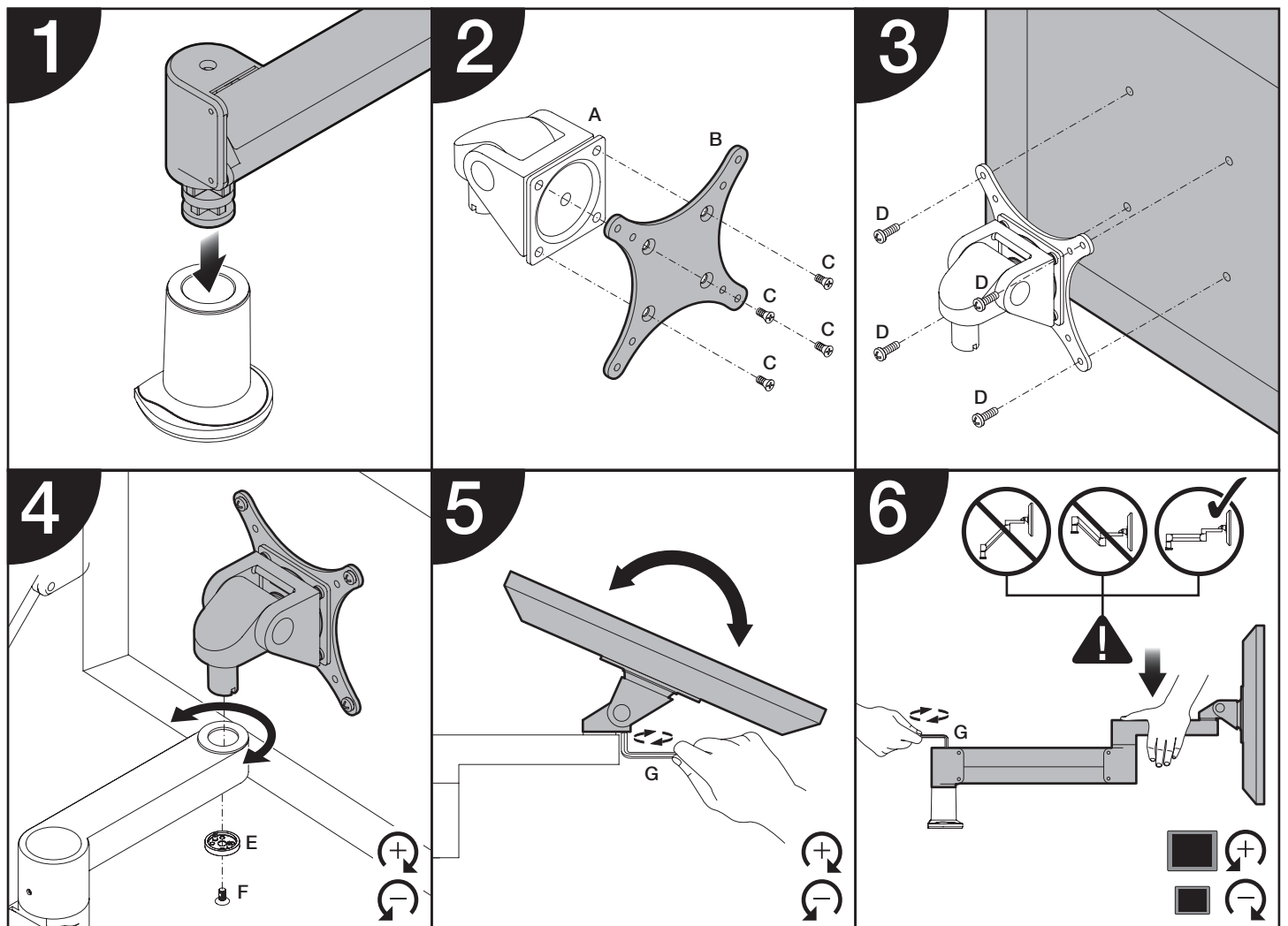
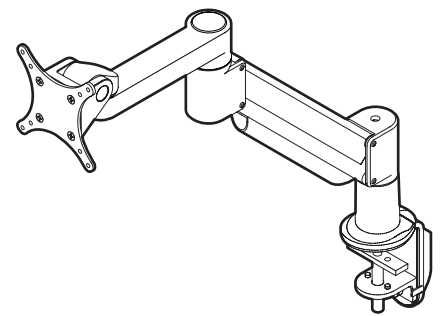
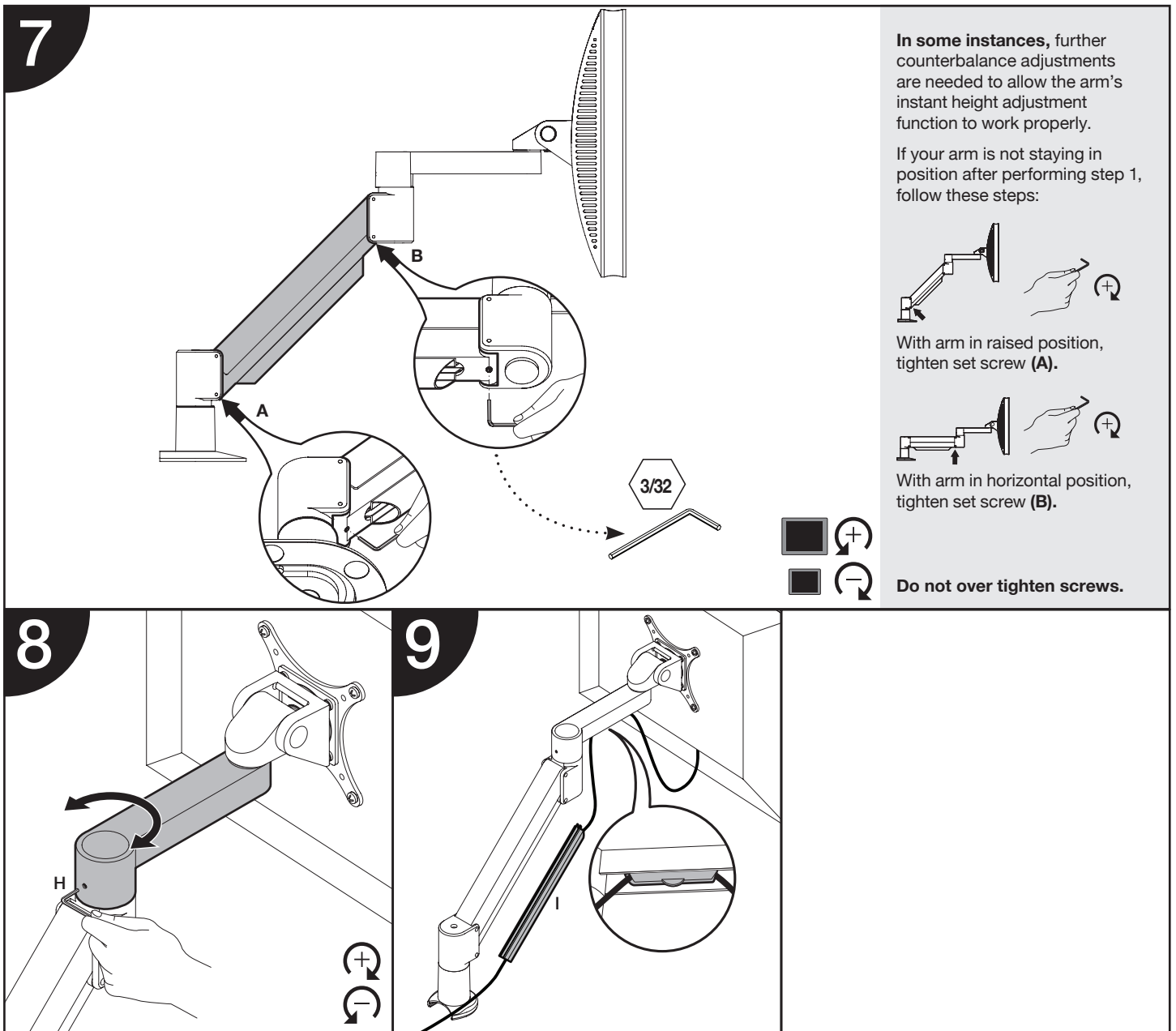
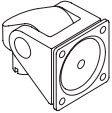




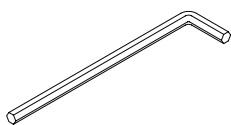


PFD 8541, PFD 8543  
Installation Instructions



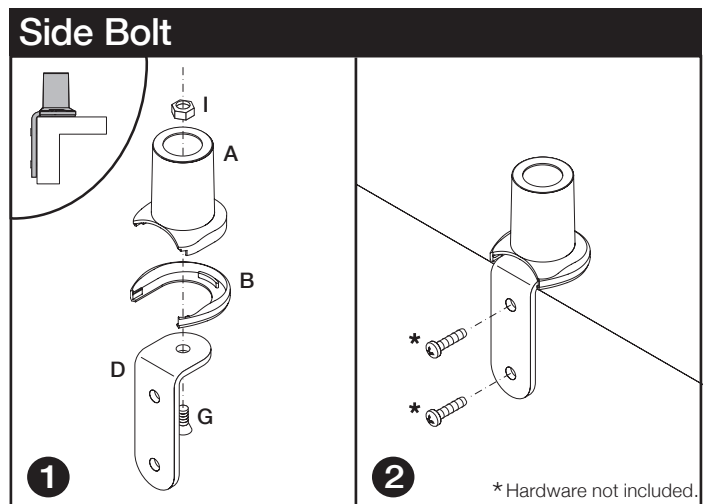
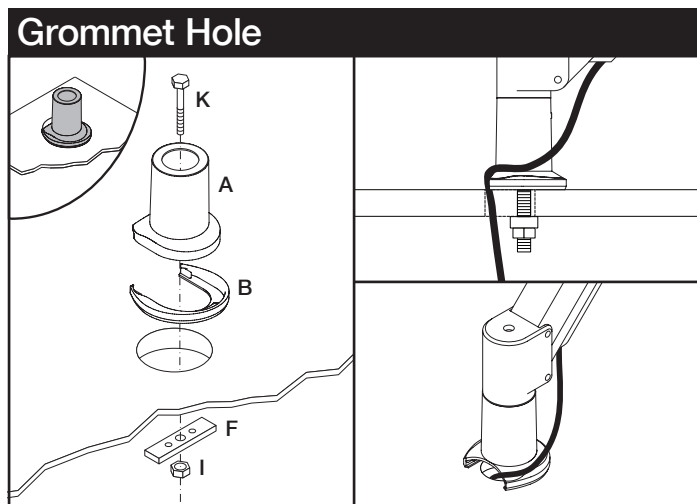
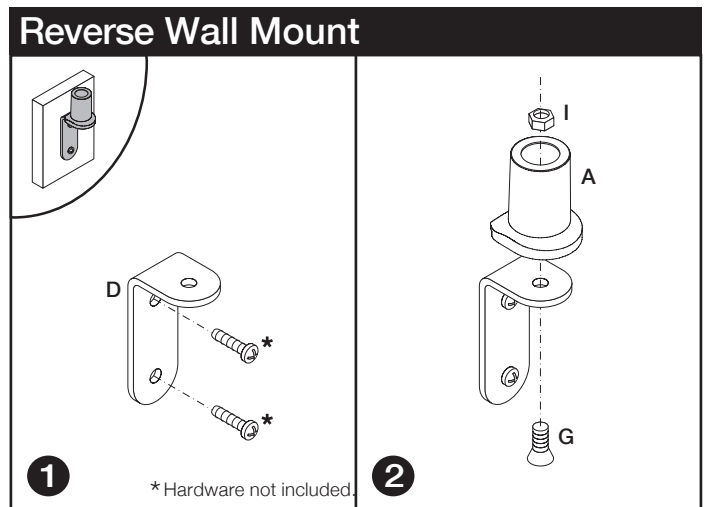
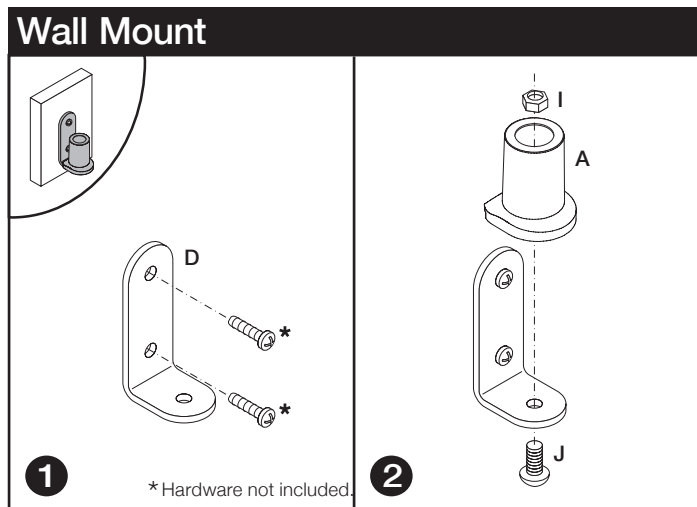
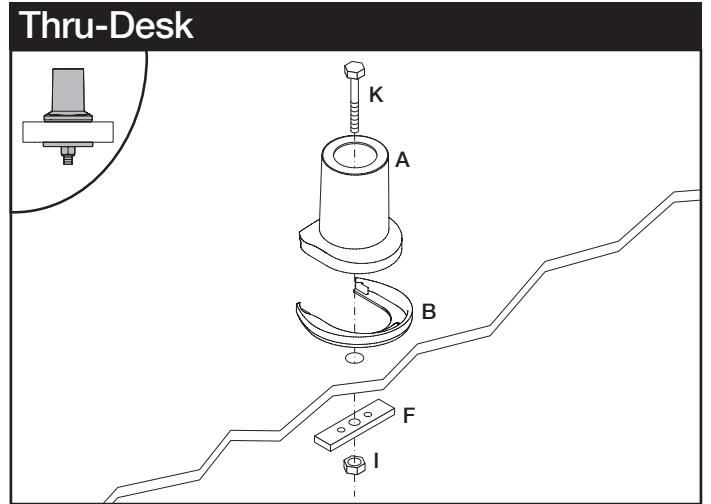
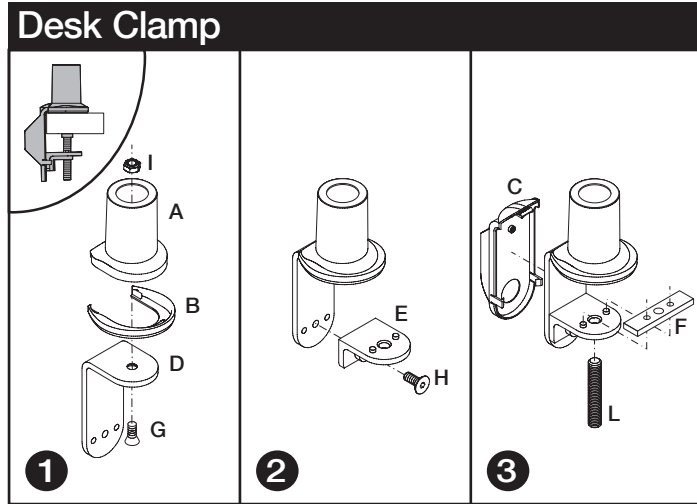
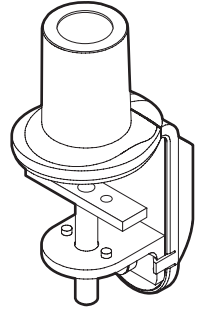


## PFD 8541, PFD 8543 Parts List

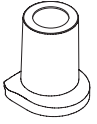

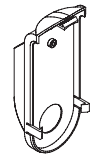
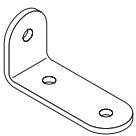
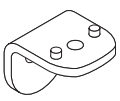
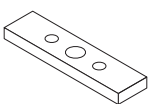
ITEM	DESCRIPTION / PARTNO.	QUANTITY
A	 Monitor Filter 405397	1
B	 75/100mm VESA® Adapter Plate 105587	1
C	 10-32 x 3/8" Phillips Pan Head Screw 702281 (4-pack)	1
D	 M4 x 12mm Phillips Pan Head Screw 702096 (4-pack)	1
E	 Dog Washer 105189	1

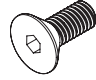
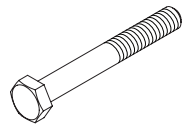
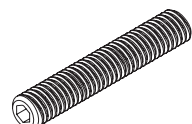
ITEM	DESCRIPTION / PARTNO.	QUANTITY
F	 10-32 x 3/8" FPhMSw/Lock Patch 705198	1
G	 7/32" Allen Wrench 701127	1
H	 3/32" Allen Wrench 700146	1
I	 Cable Cap 102043-9.5	1

# FLEXmount™ Installation Instructions



# FLEXmount™ Parts List

ITEM	DESCRIPTION / PARTNO.	QUANTITY
A	 Mount Cup 406715	1
B	 Mount Cup Rubber Sole 105553	1
C	 Cable Management 105538	1
D	 Large "L" Bracket 701117	1
E	 Small "L" Bracket 701116	1
F	 Rectangular Spacer 701544	1

ITEM	DESCRIPTION / PARTNO.	QUANTITY
G	 3/8-16 x 1 Flat Socket Cap Screw 701124	1
H	 3/8-16 x 7/8 Flat Socket Cap Screw 701799	1
I	 3/8-16 Nylon Stop Nut 701418	1
J	 3/8-16 x 7/8 Button Socket Cap Screw 701122	1
K	 3/8-16 x 2-1/2 Hex Head Bolt 700268	1
L	 1/2-13 x 3 Socket Set Screw 701126	1