

PUC 2720 Pole black

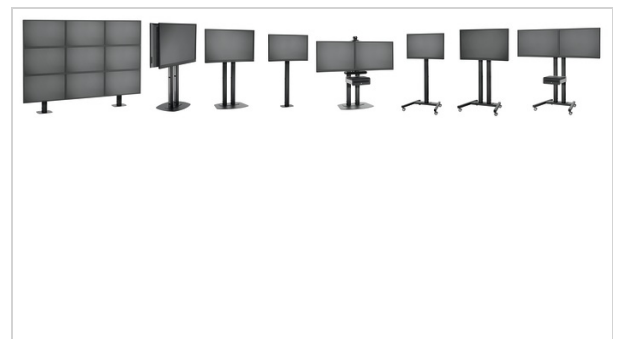
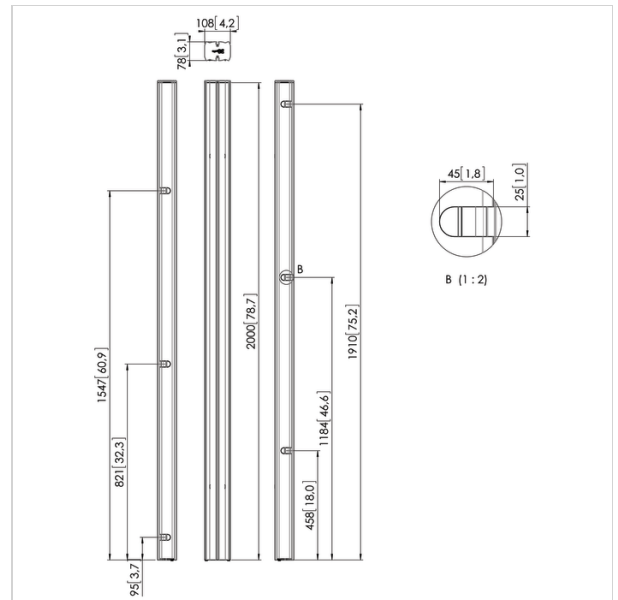
Article number (SKU) 7227200
 Colour Black

Key benefits

- TÜV certified

The poles are the connection between the floor base and display interface and are available in 3 different lengths, 150cm, 180cm and 200 cm. The poles are provided with a multiple cable management (CIS®) and can be combined with all Connect-it accessories. The PUC 27xx Series can only be used in combination with the floor solutions.

"Vogel's Connect-it floor solutions (floor stands and trolleys) is an uniquely flexible system. With only a few standard components, you can create a solution for almost any requirement. From a single display floor stand in a shop window, a back-to-back display set-up in an airport, to a movable video conferencing set-up for corporate use, the flexible Connect-it floor solutions line fits every situation. Connect-it floor solutions can accommodate displays from small to extra large, weighing up to 160 kg. Connect-it floor modules are available in black and silver to fit any interior décor.





PUC 2720 Pole black

www.vogels.com

VOGEL'S HOLDING BV 2017 (c) All rights reserved
Subject to printing errors, technical and price
amendments
Date: 13-11-2017

Specifications

Product specifications

Product type number	PUC 2720
Article number (SKU)	7227200
Colour	Black
EAN single box	8712285323706
TÜV certified	Yes
Guarantee	5 years

Technical specifications and dimensions

Pole length (mm)	2000 mm
------------------	---------

